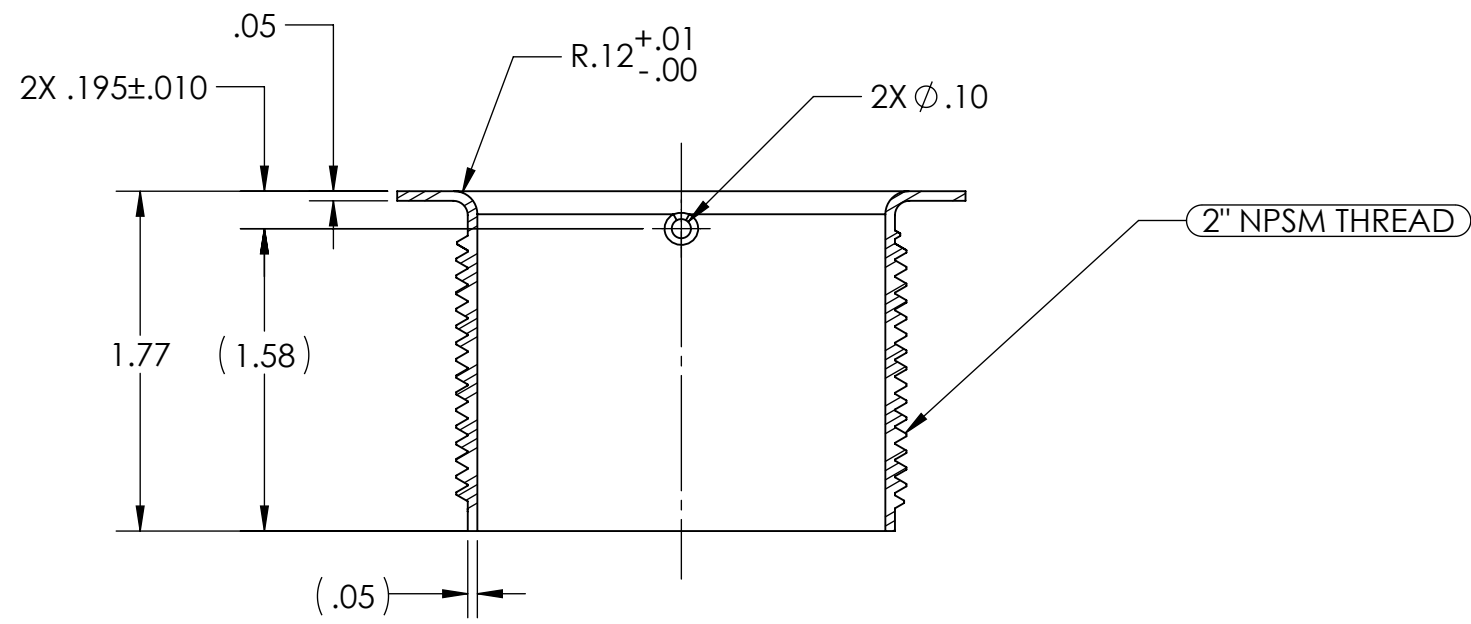
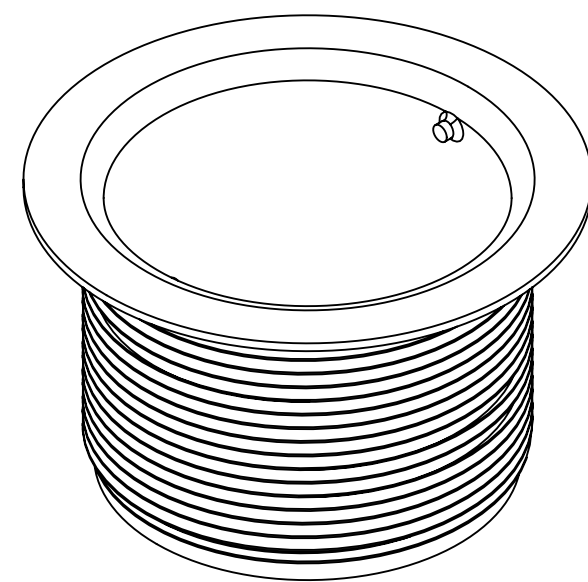
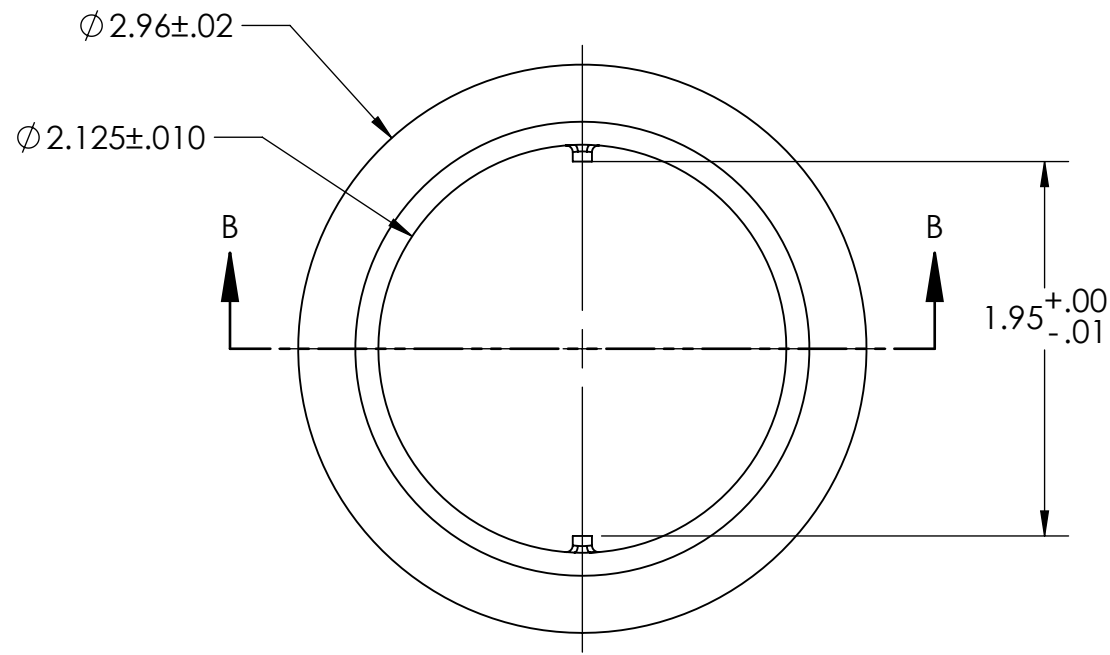


REVISION	NOTES	CHANGED BY	CHECKED BY	RELEASED DATE
01	RELEASED TO PRODUCTION	TC	JC	5/4/18
02	RADIUS WAS R.1 -RENAME -001-ST TO -004	SL		08/10/18



SECTION B-B

- NOTES:
1. MATERIAL CERTIFICATION AND C OF C REQUIRED ON ALL LOT RUNS, INCLUDING BASE MATERIAL, PIGMENTATION
 2. PART TO BE FREE OF PARTICULATE MATTER, PARENT OR FOREIGN, VISIBLE AND EMBEDDED.
 3. DRAWING IS FOR INSPECTION PURPOSE ONLY. ALL UNDIMENSIONED FEATURES TO BE HELD $\pm .010$ WITH RESPECT TO 3D CAD MODEL.
 4. ALL K.O. PIN LOCATIONS, GATES AND PARTING LINES TO BE APPROVED BY LATICRETE INTERNATIONAL.
 5. ALL CORNERS SHOWN SHARP TO BE R 0.010 MAX.
 6. ALL FLASH TO BE HELD TO .010 MAX. GATE VESTIGE TO BE .010 MAX.
 7. PARTING LINE MISMATCH .005 MAX.

PROPRIETARY AND CONFIDENTIAL

THE INFORMATION CONTAINED IN THIS DRAWING IS THE SOLE PROPERTY OF LATICRETE INTERNATIONAL INC. ANY REPRODUCTION IN PART OR AS A WHOLE WITHOUT THE WRITTEN PERMISSION OF LATICRETE INTERNATIONAL INC. IS PROHIBITED.

LATICRETE INTERNATIONAL INC.
91 AMITY ROAD
BETHANY CT 06524

UNLESS OTHERWISE SPECIFIED:		NAME	DATE
DIMENSIONS ARE IN INCHES TOLERANCES: ANGULAR: MACH ± 2 BEND ± 5 TWO PLACE DECIMAL $\pm .010$ THREE PLACE DECIMAL $\pm .005$	DRAWN	TC	5/4/18
	CHECKED	PB	5/4/18
	ENG APPR.	JC	5/4/18
	MFG APPR.		
INTERPRET GEOMETRIC TOLERANCING PER: ASME Y14.5 - 2009	Q.A.		
MATERIAL BLACK ASTM D2661 GRADE ABS	COMMENTS:		
FINISH SPI D-3 OR BETTER			
DO NOT SCALE DRAWING			

LATICRETE			
TITLE: 2" THREADED FLANGED PLASTIC CONNECTOR			
SIZE B	DWG. NO. 9248-0404-001	REV 02	
SCALE: 1:1	WEIGHT:	SHEET 1 OF 1	