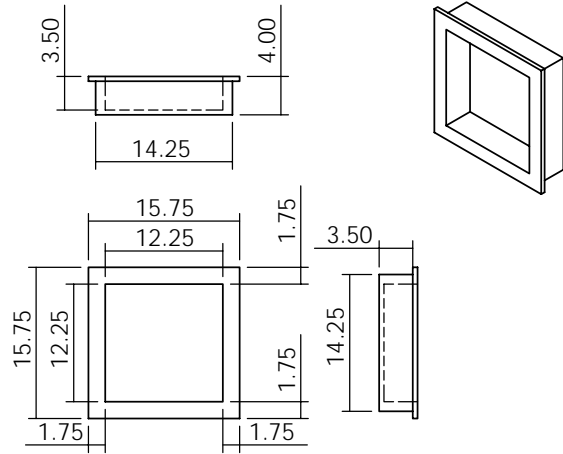
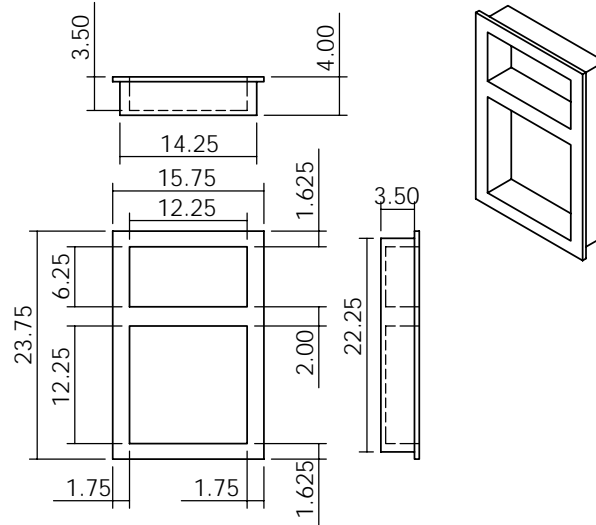


## Niche Dimensioned Drawings

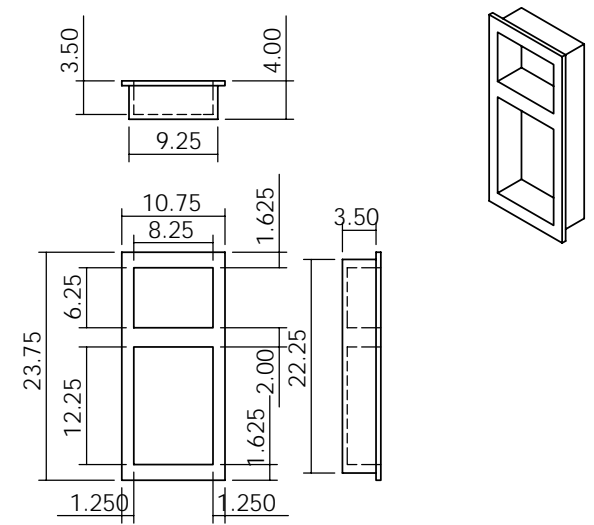
**9311-1212-S Square**



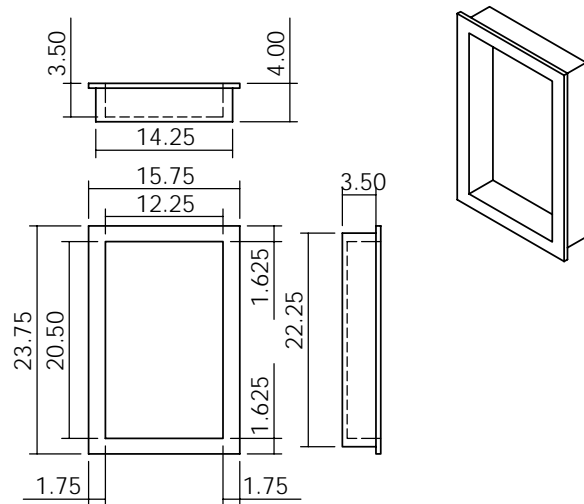
**9312-1212-WC Wide Combo**



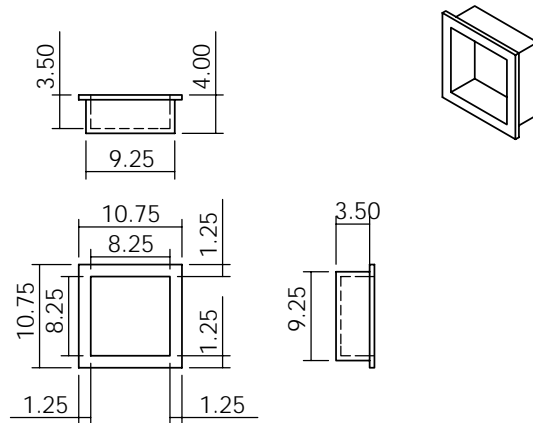
**9313-0812-NC Narrow Combo**



**9314-1220-M Mega Niche**



**9315-0808-S Soap Niche**



Flange Width on all PreForm® Niches is .75"  
 Cavity Depth is 3.5"  
 All Dimensions are nominal.

