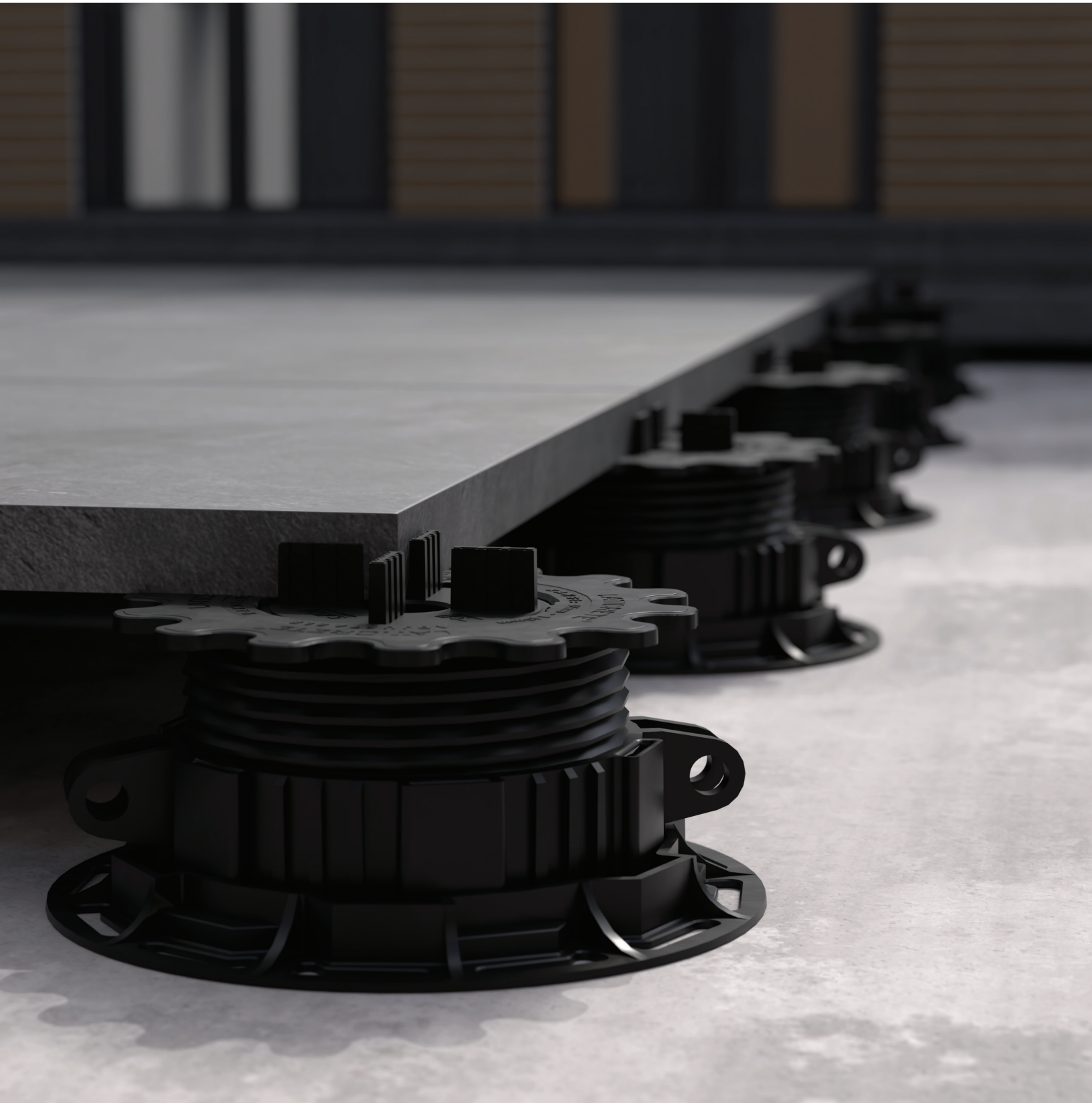


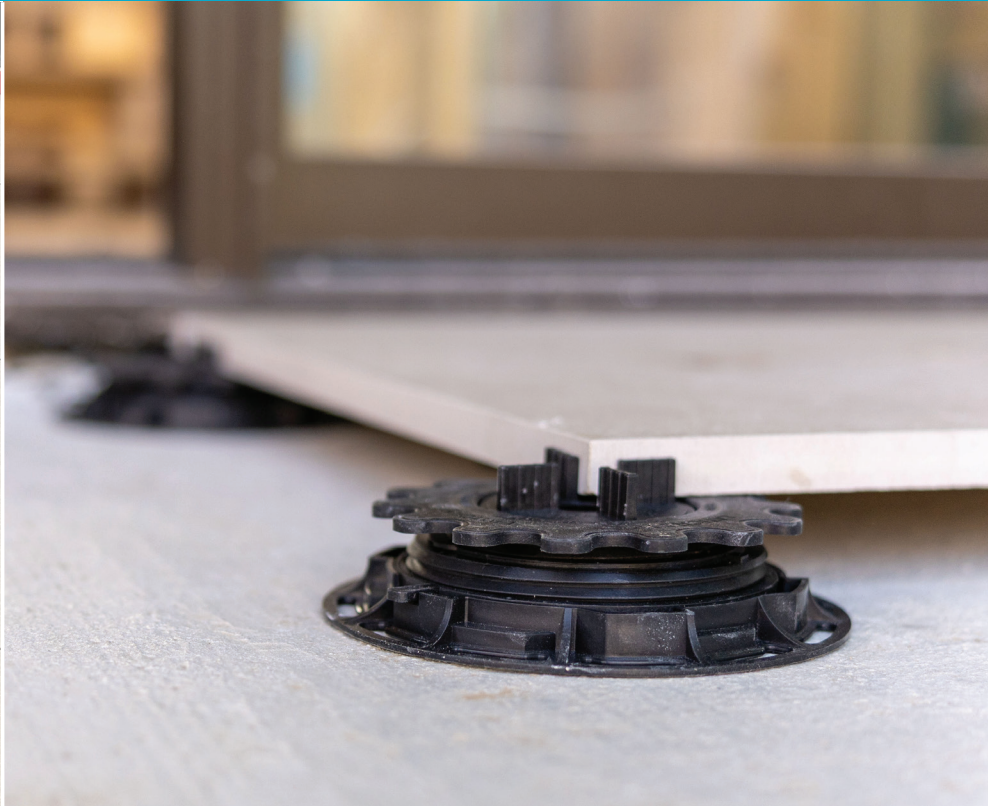


# NXT<sup>®</sup> Pedestal System Installation Guide

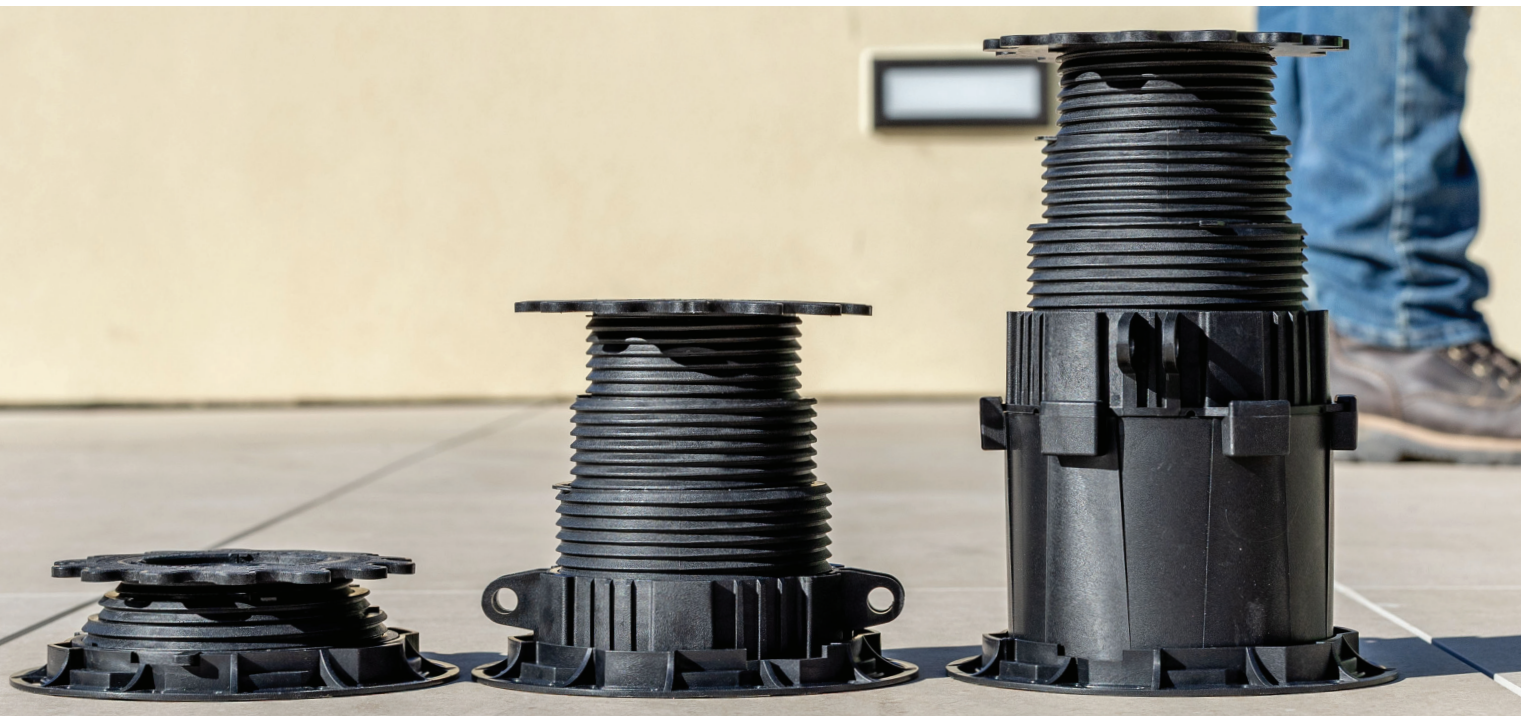
Guía de instalación del sistema NXT Pedestal



# NXT® Pedestal Adjustable Range

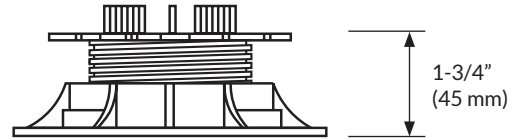
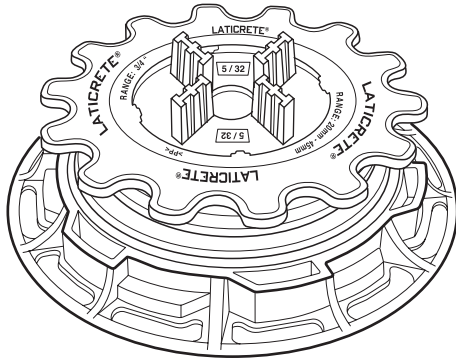


	<b>PAGE</b>
NXT® Pedestal Adjustable Range .....	4
Increasing NXT Pedestal Height .....	5
NXT Pedestal Slope Correctors.....	6
NXT Pedestal Spacer Tabs & Rubber Shims.....	7
Leveling, Fine Tuning & High Speed Adjustment .....	8
NXT Pedestal Multiplate and Concealed Uplift Plate .....	9
NXT Pedestal Multiplate .....	10
Installing NXT Pedestal System.....	11-12
NXT Pedestal Multiplate Facer .....	13
NXT Pedestal FRP Fastening Kit.....	14
NXT Pedestal Support Tray Fastening Kit.....	15
Rango ajustable del NXT® Pedestal .....	20
Cómo incrementar la altura del NXT Pedestal.....	21
Correctores de pendiente para NXT Pedestal.....	22
Lengüetas espaciadoras y calces de goma para NXT Pedestal.....	23
Nivelación, ajuste fino y ajuste de alta velocidad .....	24
Multiplaca y placa oculta para vientos para NXT Pedestal.....	25
Multiplaca para NXT Pedestal.....	26
Instalación del sistema NXT Pedestal .....	27-28
Cara de multiplaca para NXT Pedestal .....	29
Kit de sujeción FPR para NXT Pedestal.....	30
Kit de sujeción de bandeja de soporte para NXT Pedestal .....	31



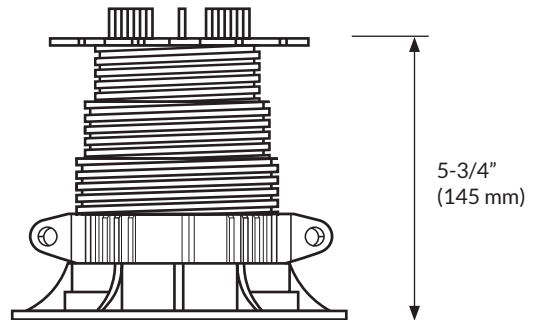
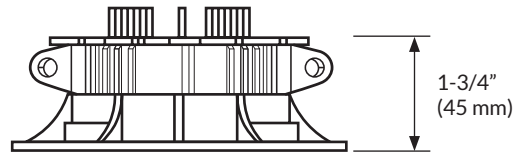
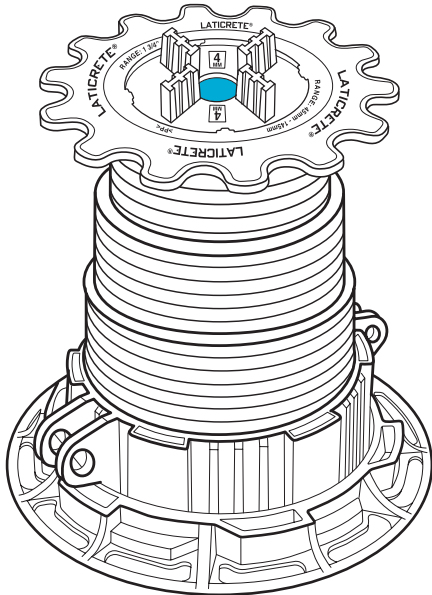
## NXT Pedestal Mini

Adjustable 3/4" - 1- 3/4" (20 mm - 45 mm)

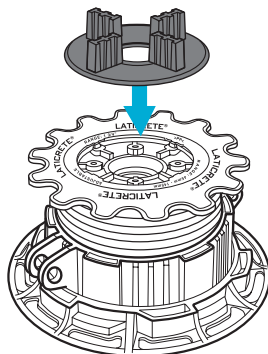
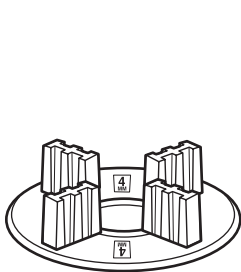


## NXT Pedestal Max

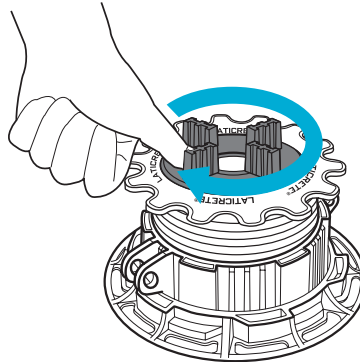
Adjustable 1-3/4" - 5-3/4" (45 mm - 145 mm)



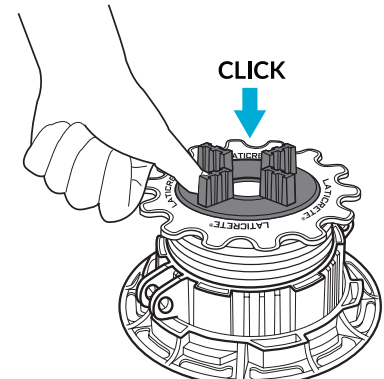
Inserting the **spacer tab** 5/32" (4 mm) included with all pedestals



Place spacer tab in the center of the pedestal head.

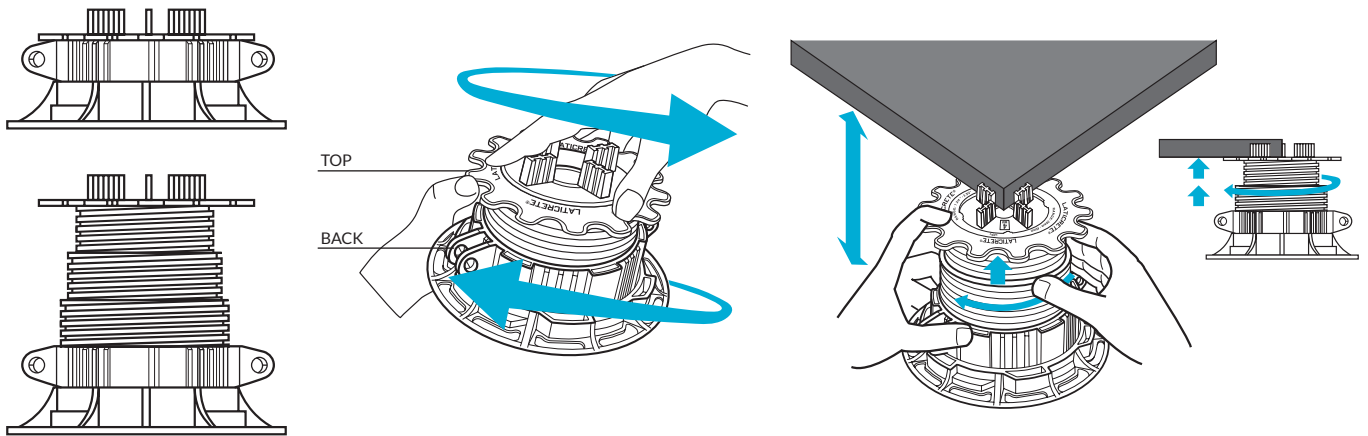


Rotate spacer tab while applying downward force.



Spacer tab will locate into position and spin freely.

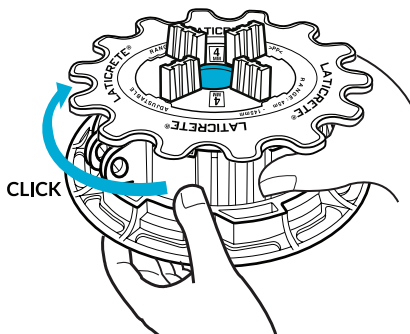
NXT® Pedestal Mini and Max pedestals are easy to adjust.



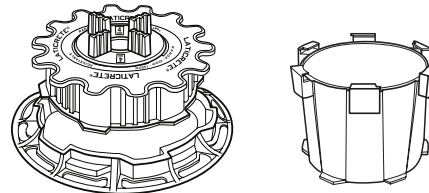
To increase the height, simply hold the pedestal base and rotate the pedestal head counter clockwise. To decrease the pedestal height, simply rotate the pedestal head clockwise.

The pedestal can still be fully adjusted with up to 3 pavers installed.

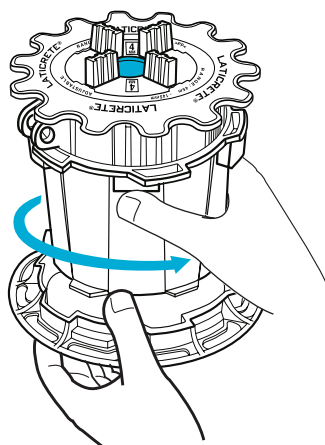
Using the **NXT Pedestal Extender** to add 4" (100 mm) of height. Extenders are compatible with NXT Pedestal Max only.



Separate the pedestal body from the base by holding the base and pushing the body clockwise.



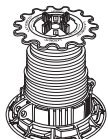
Attach extender to the pedestal body by rotating until it clicks.



Attach back onto pedestal base.



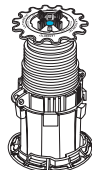
NXT Pedestal Mini  
3/4" (20 mm) to  
1-3/4" (45 mm)



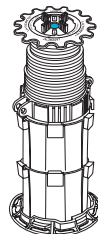
NXT Pedestal Max  
1-3/4" (45 mm) to  
5-3/4" (145 mm)



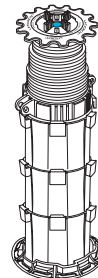
NXT Pedestal  
Extender  
4" (100 mm)



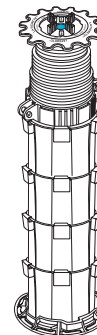
+1x Extenders  
9.65" (245 mm)



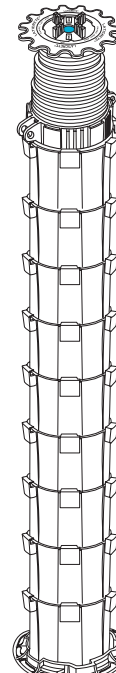
+2x Extenders  
13.5" (345 mm)



+3x Extenders  
17.5" (445 mm)



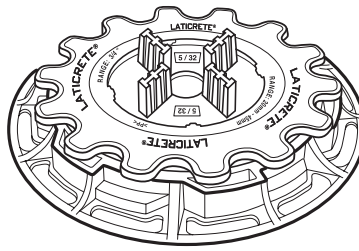
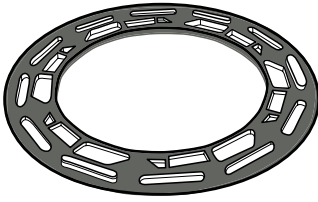
+4x Extenders  
21.5" (545 mm)



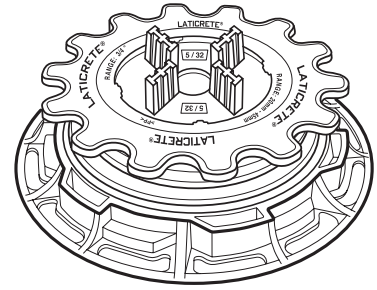
+9x Extenders  
41.5" (1045 mm)

# NXT® Pedestal Slope Correctors

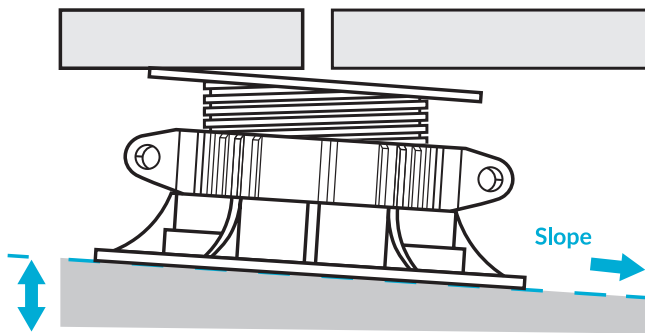
**NXT Pedestal Slope Corrector** are stackable and each provides 3 degrees of adjustment. Compatible with NXT Pedestal Mini and Max



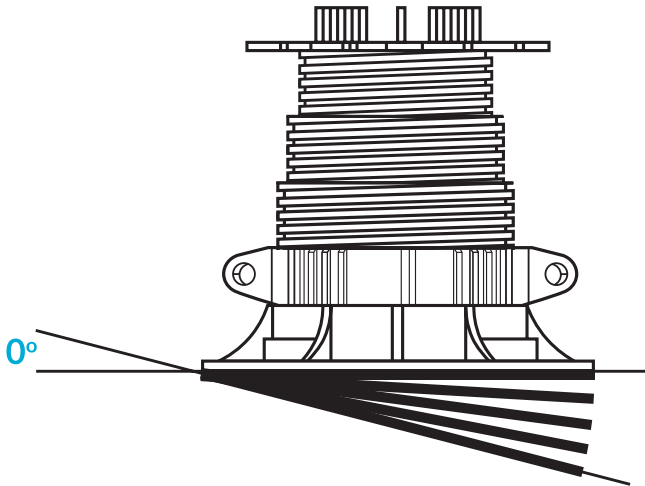
Mini



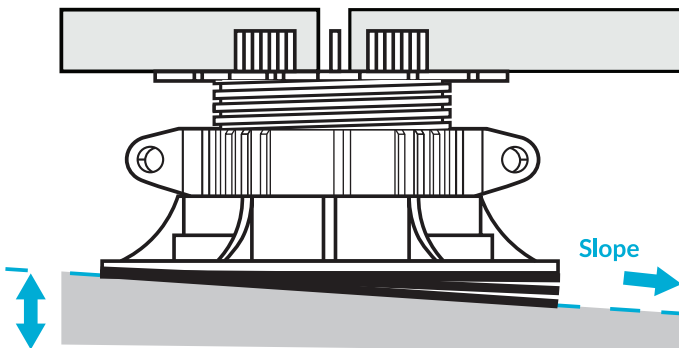
Max



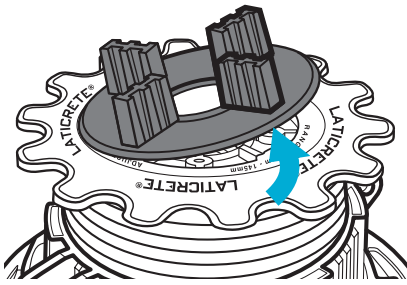
The paver will not sit level if the substrate is sloped. NXT Pedestal Slope correctors will be required for the pedestal to remain perpendicular.



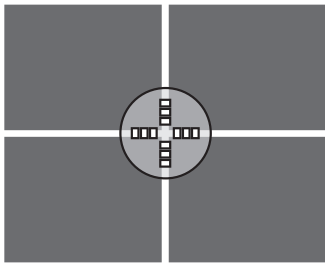
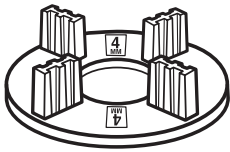
Place the slope corrector under the pedestal base to compensate for substrate slope.



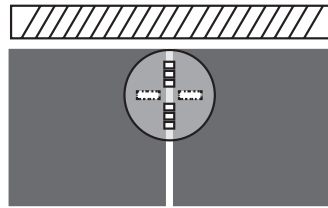
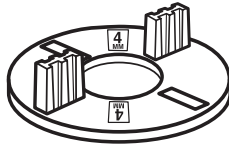
Use additional slope correctors until the pedestal is level. Slope correctors are stackable and have locating tabs to ensure they do not move once installed.



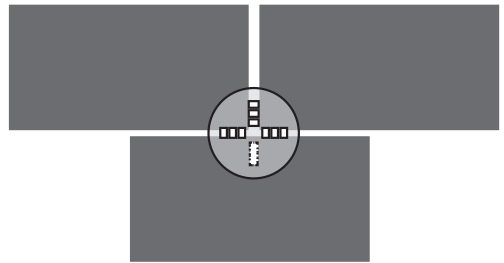
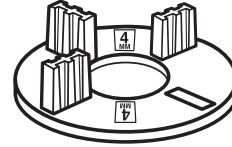
NXT® Pedestal Spacer Tabs are designed to snap off creating options for patterns and applications.



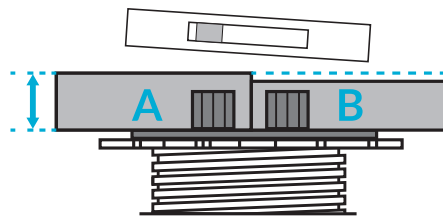
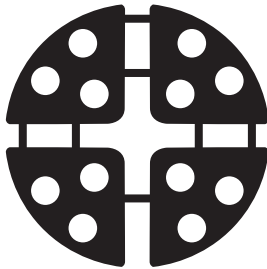
Leave to create a spacing to intersect 4 pavers.



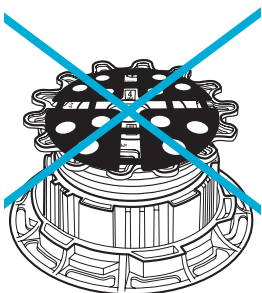
Snap off 2 tabs to create a vertical line.



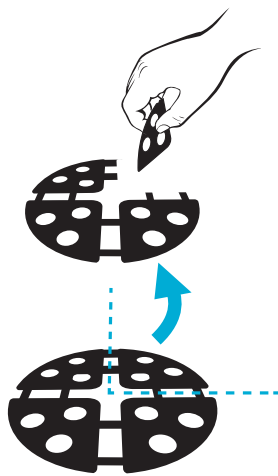
Snap off 1 tab to create a brick bond pattern.



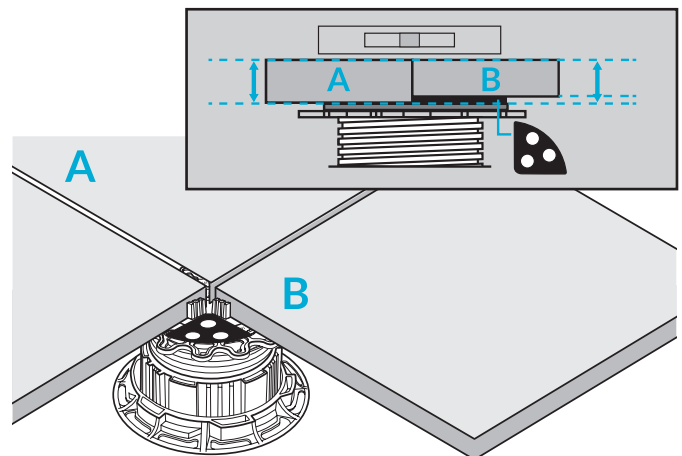
NXT Rubber Shims are 1/16" (1 mm) thick and used to correct and level uneven or uncalibrated pavers.

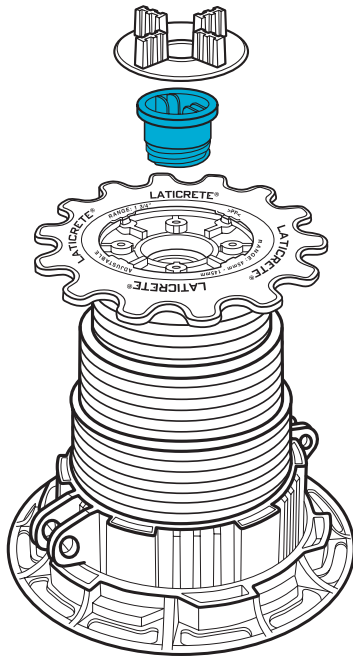


Do not place the entire rubber shim on the pedestal. You will not be able to further adjust.



Tear off a corner and add to the quarter requiring a shim. These can be double or triple stacked. Apply only after pedestal has been adjusted to the correct height.





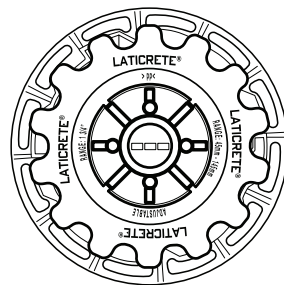
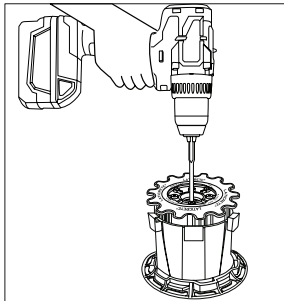
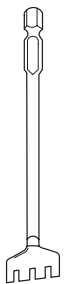
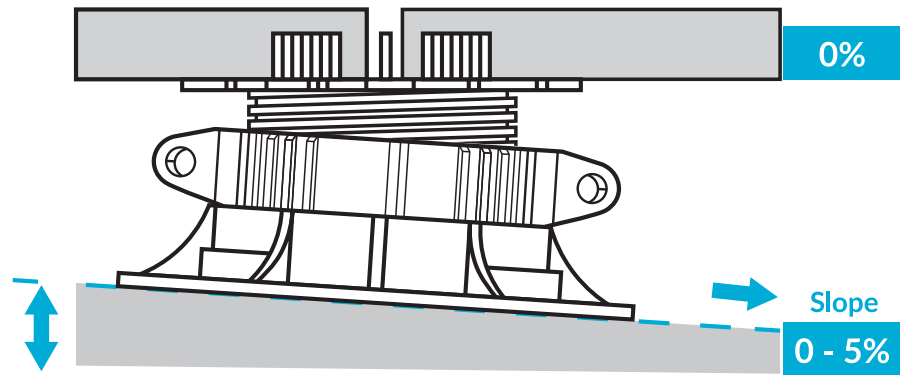
**NXT® Pedestal Max** features a unique blue plug located at the center of the pedestal head. The pedestal is shipped with this plug pre-installed for fixed-head applications.

To convert from a fixed head to a pivoting head, remove the blue plug by turning counterclockwise. The plug is torqued into place, and cannot be hand loosened. The NXT Pedestal Maintenance Key is ideal for this application.

We recommend removing the plug only when necessary, such as to accommodate severe slopes or areas around drains.

Remove the blue plug prior to inserting the spacer tab.

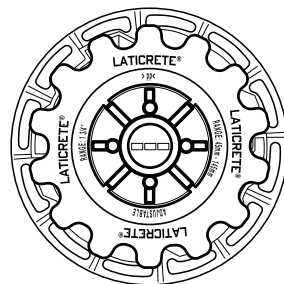
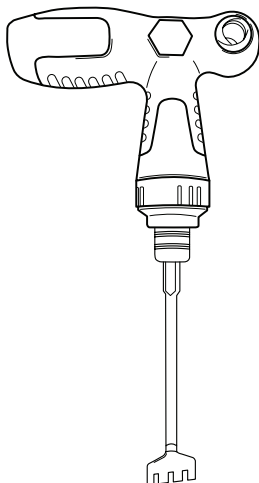
Once the blue plug is removed the pedestal head can pivot up to 5 degrees.



Use **NXT Pedestal High Speed Chuck** with an electric drill or screwdriver on **LOW** clutch setting only. Insert into center of the pedestal head and turn until it seats into the key locator.

**DO NOT** use an impact driver.

*Put in reverse to increase the pedestal height and forward to decrease.*



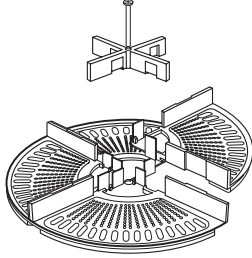
For fine adjustment the high speed chuck can be fitted to the maintenance key handle.

Insert into the center of the pedestal head until it seats into the key locator.

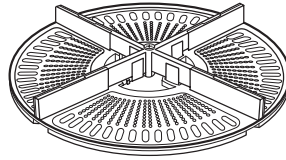
Turn counter clockwise to increase and clockwise to decrease.

**DO NOT STAND** on the paver being adjusted.

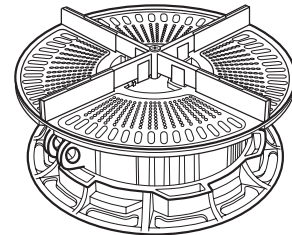
### NXT® Pedestal Concealed Uplift Plate



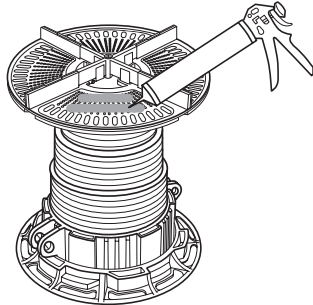
Plates are manufactured in quarters and replace the existing spacer tab.



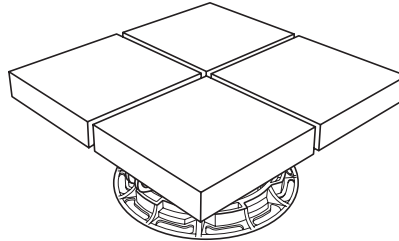
Plates ship fully assembled and ready to install



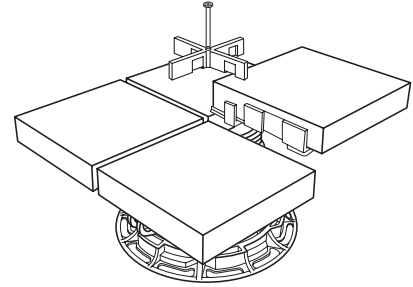
**STEP 1:** Insert the concealed uplift plate to the pedestal head. Push down to click into position.



**STEP 2:** Generously apply adhesive in two straight lines on each quarter.  
\*Note - ensure adhesive is compatible with polypropylene.



**STEP 3:** Place paver on each quarter and press firmly to bond securely.



**STEP 4:** To remove a paver simply unscrew the center screw in each corner and lift paver to release center cross.

**NXT Pedestal Multiplate** is a versatile solution for multiple applications.

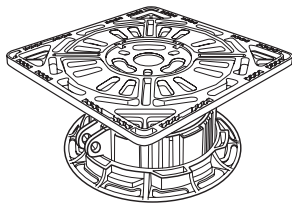
**Low height** - Can be placed on the ground in lieu of Mini, can be stacked and slope correctors can be added to the base.

**Perimeter spacing** - Can be used to create a gap around the perimeter of the installation with the standard spacer tab.

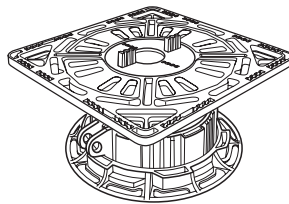
**Angles and Curves** - NXT Pedestal Multiplate can be cut on an angle or curve to match the perimeter or to provide full coverage of small paver.

- Can be used to build steps with NXT Pedestal Multiplate Facers.
- Can be used to treat live edges with NXT Pedestal Multiplate Facers.
- Live edge with mitered pavers and live edges with 3/4" trim.

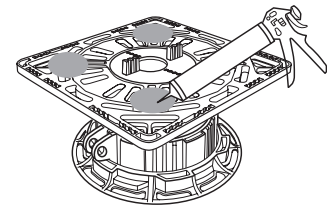
### NXT Pedestal Multiplate Wind Uplift Solution



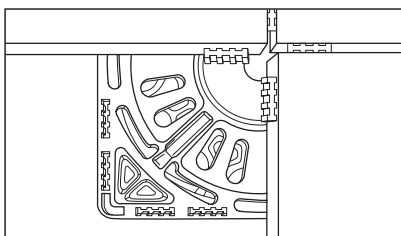
**STEP 1:** Place the pedestal into position and push the multiplate onto the pedestal head.



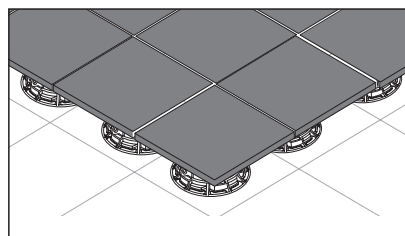
**STEP 2:** Insert the 5/32" (4 mm) spacer tab (included with pedestals) into the center of the multiplate.



**STEP 3:** Generously apply adhesive in each quarter of the plate. Use a minimum dot size approx. 1" round and 1/2" thick (30 mm round and 15 mm thick)

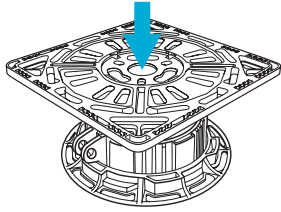


**STEP 4:** Install pavers on the multiplate pushing down to ensure adhesion.

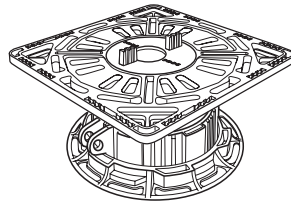


**STEP 5:** Pavers are now installed with a concealed wind uplift solution.

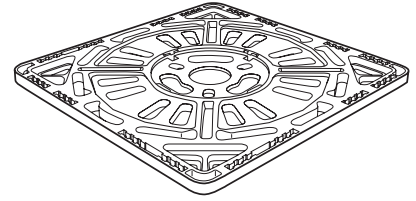
## NXT Pedestal Multiplate edge spacing solution



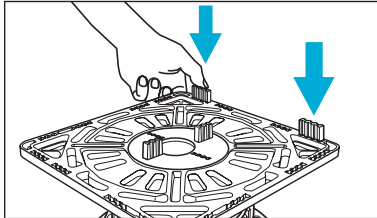
Place the pedestal up against the perimeter wall and push the multiplate onto the pedestal head.



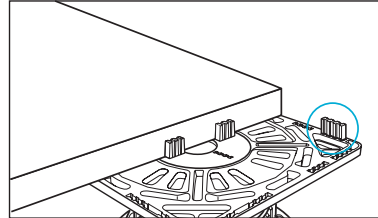
**STEP 1:** Insert the 5/32" (4 mm) spacer tab (included with pedestals), and create a vertical line by snapping off 2 spacer tabs.



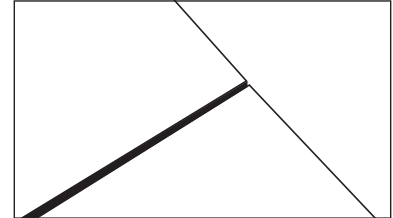
Use the discarded 5/32" (4 mm) spacing tabs to create a gap between the paver and perimeter.



**STEP 2:** Use the 2 snapped out spacer tabs and insert vertically in the provisions on the edge of the multiplate to create the 5/32" (4 mm) gap against the perimeter.

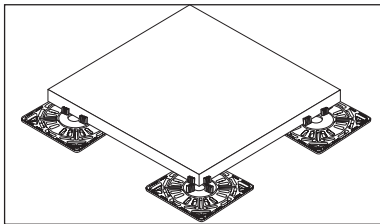


**STEP 3:** Install pavers on the multiplate against the perimeter wall. To create a consistent perimeter gap, ensure a minimum of 2 spacer tabs are used.

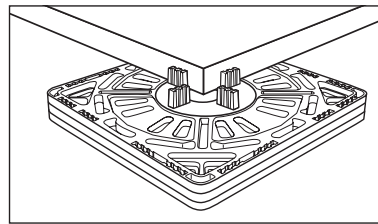


**STEP 4:** Pavers are now installed with a 5/32" (4 mm) gap against the perimeter wall.

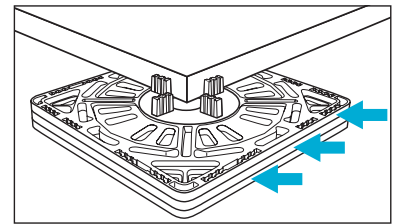
## NXT Pedestal Multiplate low height solution



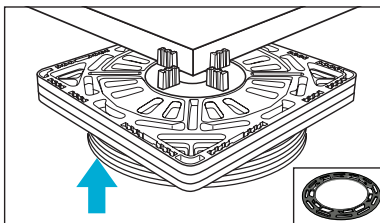
NXT Pedestal Multiplate has been specifically designed to achieve a minimum low height solution of 3/8" (10 mm).



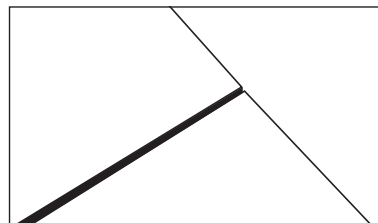
**STEP 1:** Insert the 5/32" (4 mm) spacer tab to intersect 4 pavers or snap 2 tabs to create a vertical line and place on the substrate.



**STEP 2:** Multiplates are stackable increasing 3/16" (5 mm) when each plate is added. Multiplates have built in locating tabs underneath to stop movement.



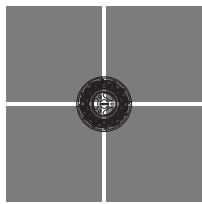
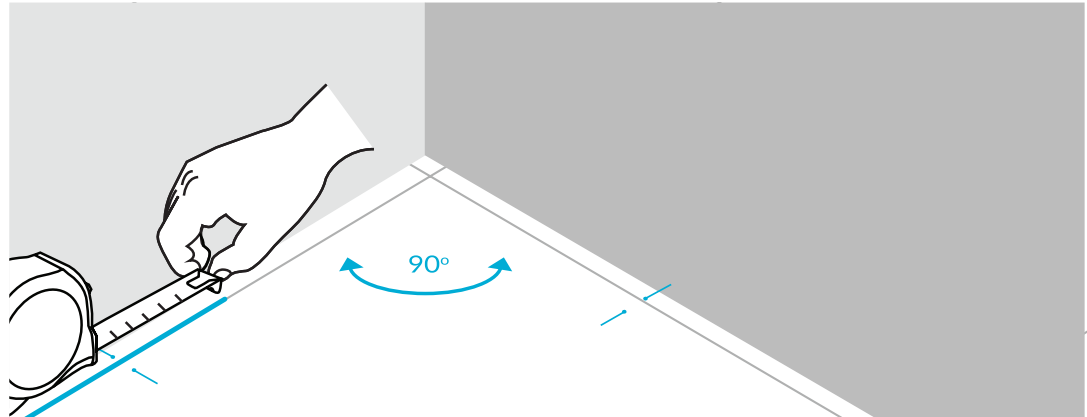
**STEP 3:** Multiplates are compatible with NXT Pedestal Slope Correctors. Add these under the Multiplate to compensate substrate fall.



**STEP 4:** Pavers are now installed as low as 3/8" (10 mm) and can be levelled to suit substrate.

Measure the area, length by width, and layout full pavers. If the area size is irregular, we recommend having equal size pavers (cuts) around all perimeters. Try to ensure the perimeter cut pavers are larger than 4" (102 mm) to ensure a pedestal will be able to support the cut paver.

Example based on  
24" x 24"  
(61 cm x 61 cm) Pavers



A

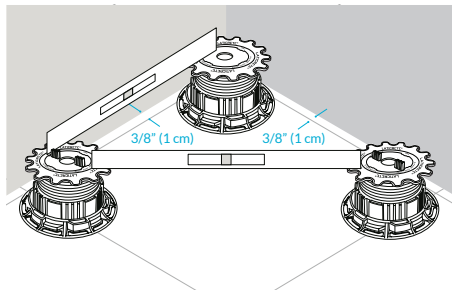
NXT Pedestals are to be placed:  
A. Between 4 pavers  
B. Between 2 pavers (perimeter)  
C. In all corners



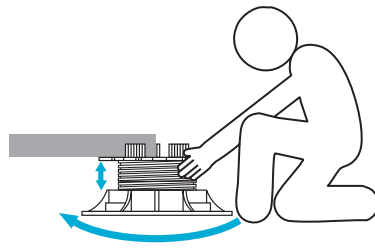
B



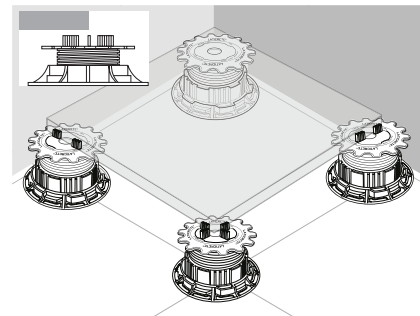
C



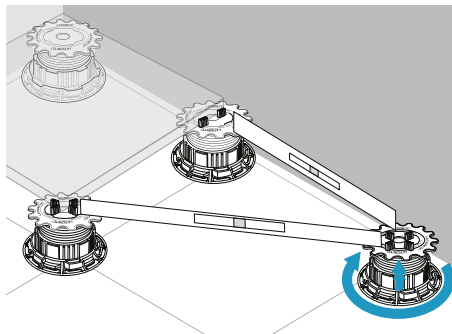
**STEP 1:** Use a 24" (61 cm) level and space the pedestals 24" (61 cm) apart.



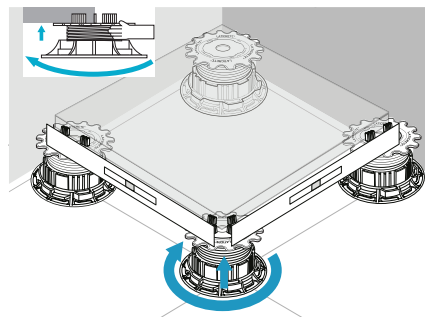
**STEP 2:** With the level on two pedestals unscrew until level is achieved.



**STEP 3:** Place paver and continue to adjust until paver is level.



**STEP 4:** Use the level to space the next pedestals 24" (61 cm) apart.



**STEP 5:** Place the paver and unscrew the pedestal until it is level.

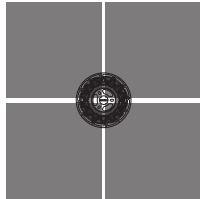
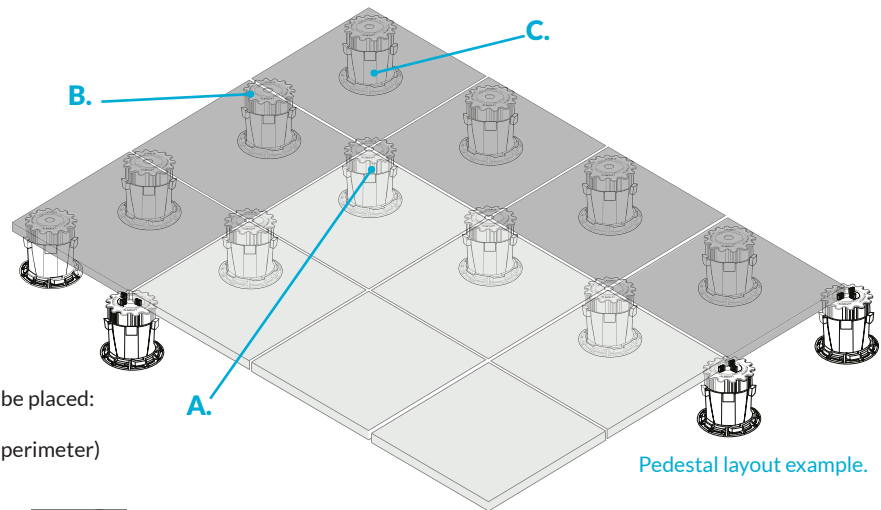
**\*Pro Tip**  
Press on the four corners with your hand to ensure the paver does not rock.

## Setting up a Pedestal Installation

Measure the area, length by width and try and layout full pavers.

If the area size is irregular, we recommend having equal size pavers (cuts) around all perimeters.

Example based on 24" x 24" (61 cm x 61 cm) Pavers



A

NXT Pedestals are to be placed:  
**A.** Between 4 pavers  
**B.** Between 2 pavers (perimeter)  
**C.** In all corners



B



C

## Installation Steps

### STEP 1:

Ensure the substrate is clean, smooth, and free of debris. NXT Pedestals are designed for installation over rigid surfaces.

### STEP 2:

Measure the area into equal parts based on paver size. Using a chalk line aids in layout and finding the best pedestal placement. \*Note\* The NXT Pedestals system has 5/32" (4 mm) spacer joints.

### STEP 3:

It is recommended to start in the corner and ensure the pedestal and paver is place against a solid perimeter.

### STEP 4:

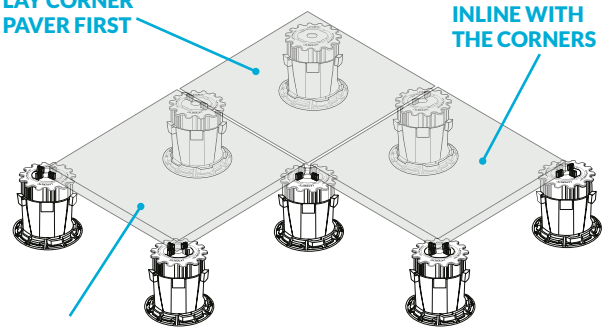
Lay suitable pavers/pavers/stone on top of the pedestals ensuring the material is level.

### DO NOT:

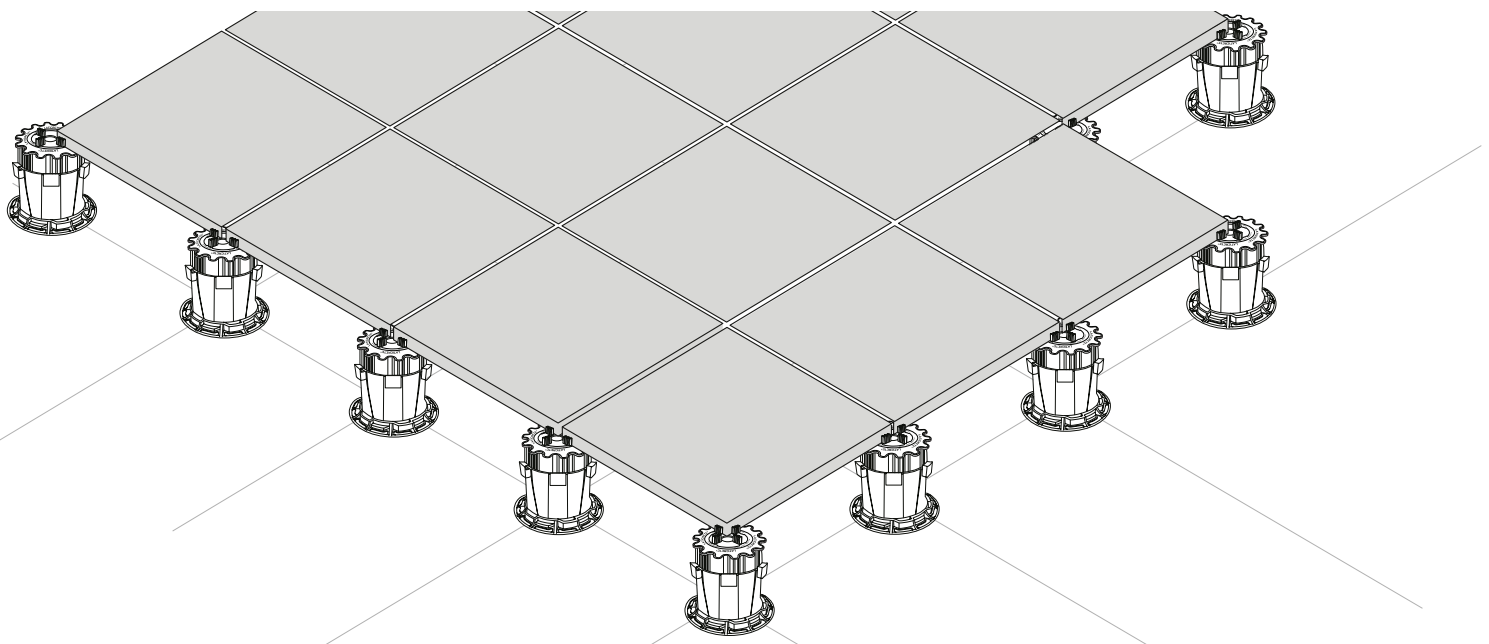
- Install any NXT Pedestals upside down for any reasons.
- Cut the pedestals for any application.
- Use NXT Pedestal Extenders without a pedestal body and base.

LAY CORNER PAVER FIRST

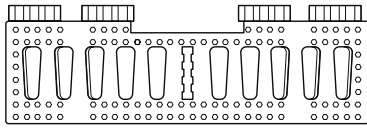
LAY NEXT PAVER INLINE WITH THE CORNERS



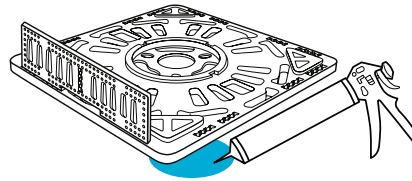
LAY NEXT PAVER INLINE WITH THE CORNERS



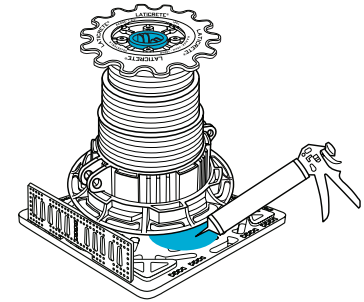
NXT Pedestal Multiplate Facer accessories



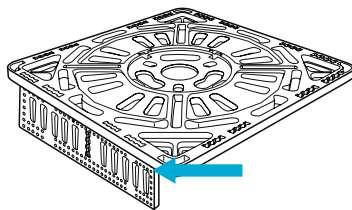
NXT Pedestal Multiplate Facer accessory is compatible with NXT Pedestal Multiplate to conceal live edges or build steps and stairs.



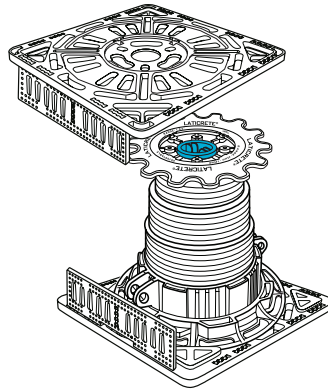
**STEP 1:** Adhere the multiplate upside down to the substrate and insert the facer accessory to the live edge.



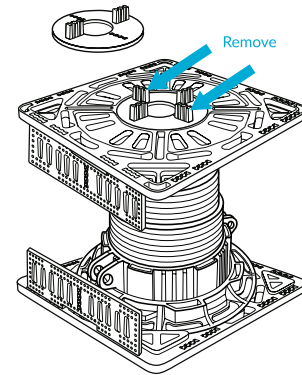
**STEP 2:** Adhere base of pedestal to the multiplate



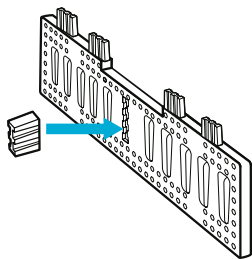
**STEP 3:** Use a second multiplate and attach a facer accessory to the underside.



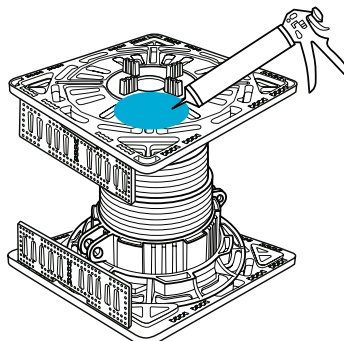
**STEP 4:** Place the multiplate on the top of the pedestal and rotate until it clicks into place.



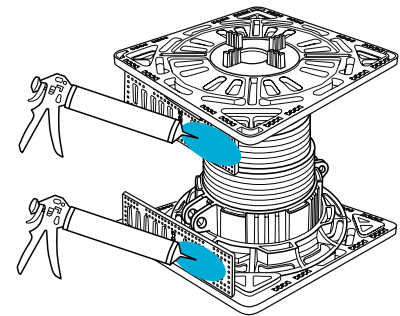
**STEP 5:** Insert spacer tab and snap out 2 spacers to create a vertical line.



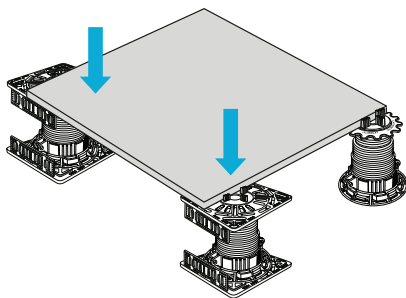
**STEP 6:** With the removed spacer tab, insert from the back through the center.



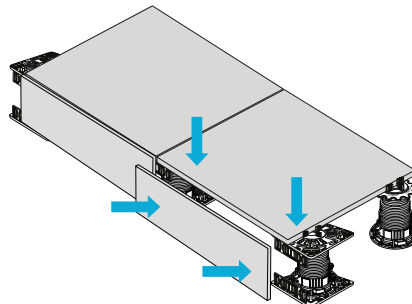
**STEP 7:** Apply adhesive to the top of the multiplate ready to adhere paver.



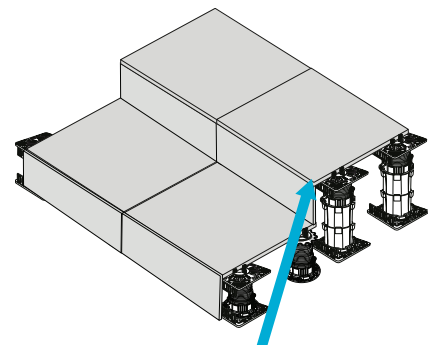
**STEP 8:** Apply adhesive to the facer accessories.



**STEP 9:** Place paver on the multiplates and press downward to ensure adhesive bonds.



**STEP 10:** Place riser paver to the facer accessories.



Note: An aluminum profile or trim can be added to cover the edge of the line

Repeat process to create steps increasing the pedestal heights.

# NXT® Pedestal FRP Fastening Kit

## Setting up a Fiberglass Reinforced Plastic (FRP) Panel for artificial turf

Measure the area, length by width and try and layout full pavers.

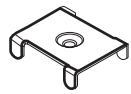
If the area size is irregular, we recommend having equal size pavers (cuts) around all perimeters.

Example based on FRP size 24" x 24" (61 cm x 61 cm)

**NXT Pedestal FRP Fastening Kit** includes 3 items



Lower nutsert

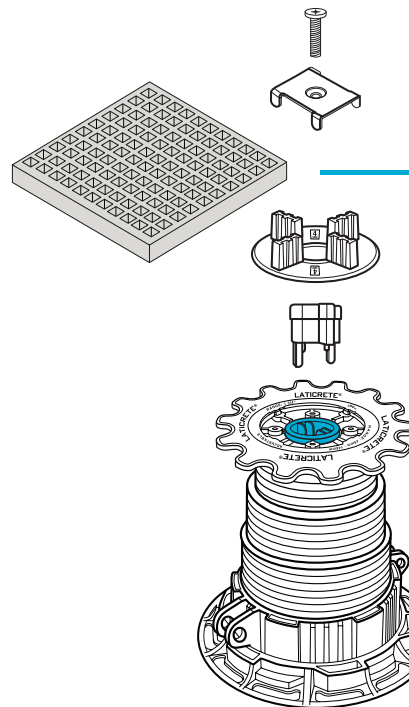


Stainless steel retainer



M2 screw

## NXT Pedestal FRP Fastening Kit is required to secure FRP to Max pedestal



### STEP 4:

Secure with the Stainless steel retainer and screw until tight.

Lay the FRP grid on all 4 quarters

### STEP 3:

Insert spacing tab

### STEP 2:

Insert the lower nutsert into the blue plug and push down until it seats into position.

### STEP 1:

Adjust pedestal to required height. To avoid FRP flexing, suggested pedestal placement is no greater than 24" x 24" (61 cm x 61 cm) apart.

## Installation Steps

### STEP 1:

Ensure the substrate is clean, smooth, and free of debris. NXT Pedestals are designed for installation over rigid surfaces.

### STEP 2:

Insert lower nutsert and spacer tabs to all pedestals. Adjust to desired height.

### STEP 3:

Place FRP grids on each corner of the pedestals. Use a level to ensure it is flat and even. No lips.

### STEP 4:

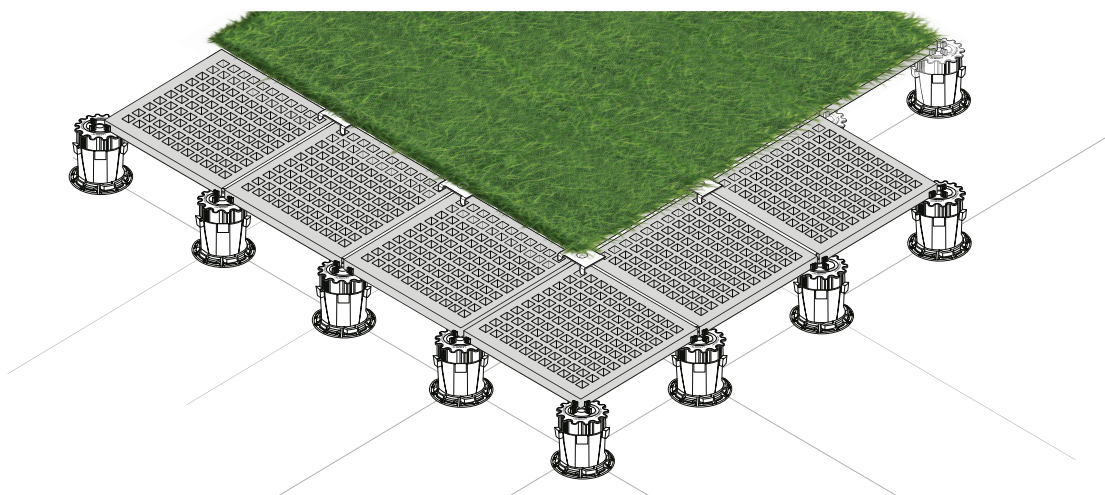
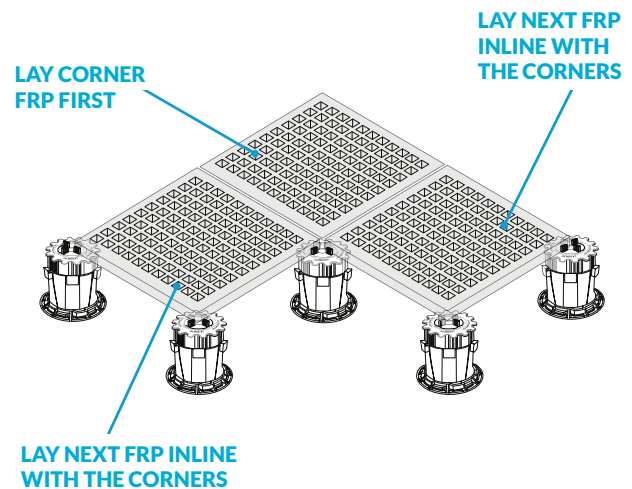
Screw down the stainless steel retainer where 4 FRP grids intersect above the center of the pedestal.

### STEP 5:

Roll out artificial turf.

### DO NOT:

- Install any NXT Pedestal upside down for any reasons.
- Cut the pedestal for any application.
- Use NXT Pedestal Extenders without a pedestal body and base.







**Setting up support panels to place pavers in alternative patterns and sizes.**

Measure the area, length by width and try and layout full pavers.

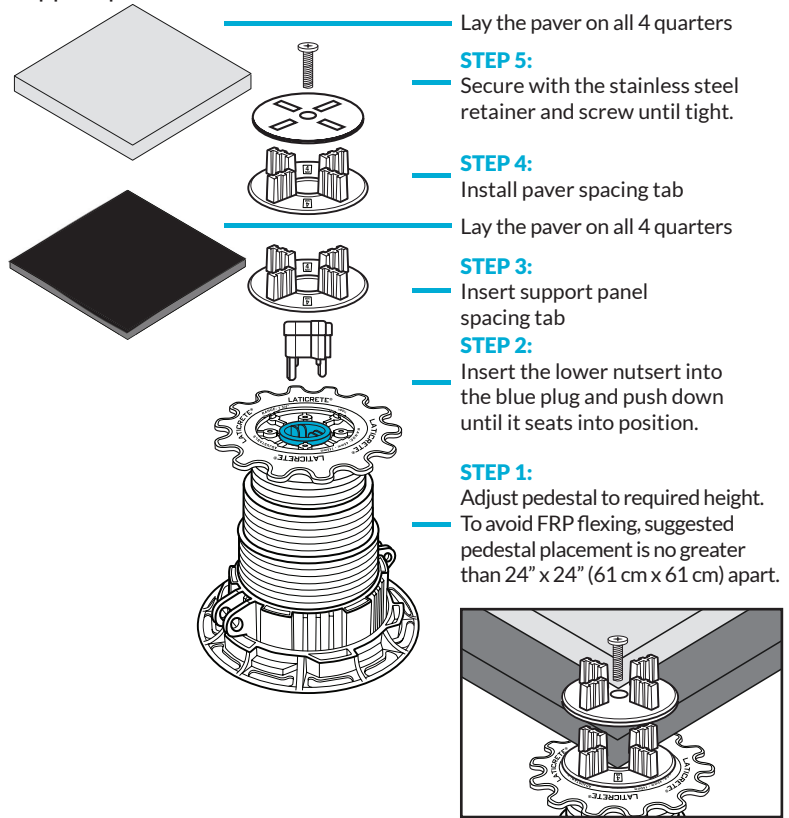
If the area size is irregular, we recommend having equal size pavers (cuts) around all perimeters.

Example based on using 24" x 24" (61 cm x 61 cm) paver

**NXT Pedestal Support Tray Fastening Kit** includes 4 items

-  Lower nutsert
-  Specialized support panel spacer tab
-  Stainless steel retainer
-  M2 screw

**NXT Pedestal Support Tray Fastening Kit** is required to secure support panel to NXT Max Pedestals



— Lay the paver on all 4 quarters

**STEP 5:** Secure with the stainless steel retainer and screw until tight.

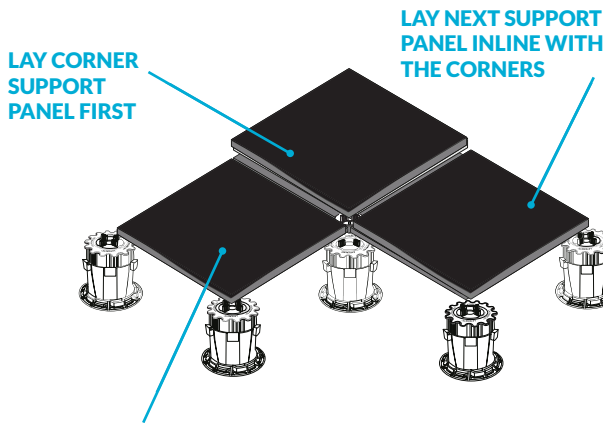
— **STEP 4:** Install paver spacing tab

— Lay the paver on all 4 quarters

**STEP 3:** Insert support panel spacer tab

— **STEP 2:** Insert the lower nutsert into the blue plug and push down until it seats into position.

**STEP 1:** Adjust pedestal to required height. To avoid FRP flexing, suggested pedestal placement is no greater than 24" x 24" (61 cm x 61 cm) apart.



**LAY CORNER SUPPORT PANEL FIRST**

**LAY NEXT SUPPORT PANEL INLINE WITH THE CORNERS**

**LAY NEXT SUPPORT PANEL INLINE WITH THE CORNERS**

**Installation Steps**

**STEP 1:** Ensure the substrate is clean, smooth, and free of debris. NXT Pedestals are designed for installation over rigid surfaces.

**STEP 2:** Insert lower nutsert and spacer tabs to all pedestals. Adjust to desired height.

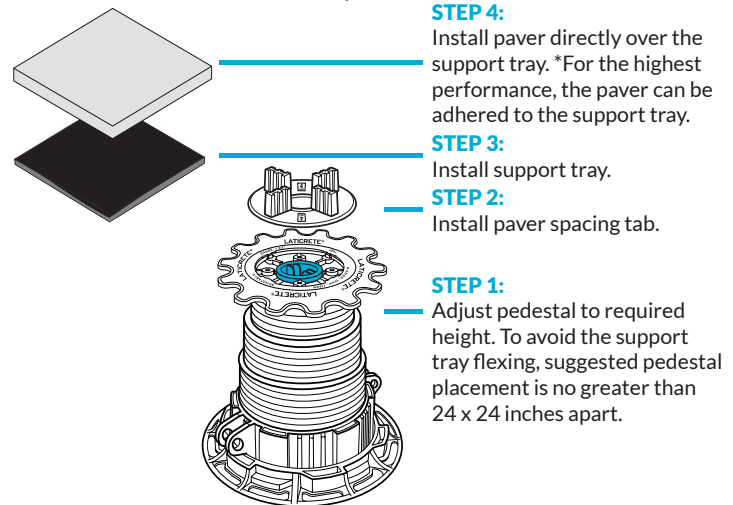
**STEP 3:** Place support tray on each corner of the pedestals. Use a level to ensure it is flat and even with no lippage.

**STEP 4:** Place paver spacer tab where 4 support panels intersect above the center of the pedestal. Use the stainless steel retainer over the spacer tab and screw down until secure.

**STEP 5:** Lay pavers directly over support tray.

Note: For best performance we recommend adhering the support tray to the paver.

**Using the NXT Pedestal Support Tray with 24" x 24" (61 cm x 61 cm) paver**

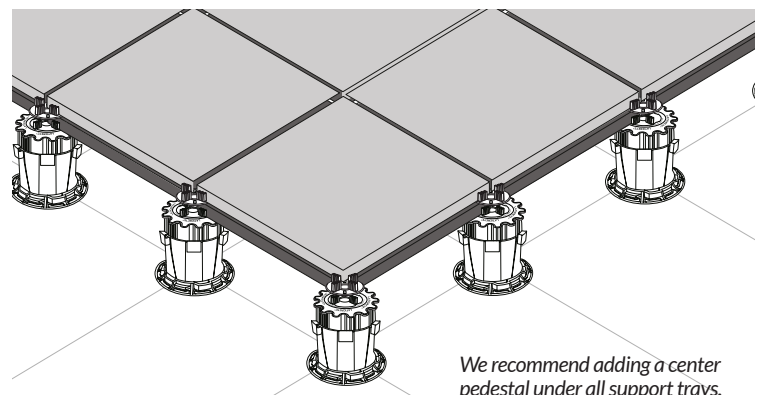


**STEP 4:** Install paver directly over the support tray. \*For the highest performance, the paver can be adhered to the support tray.

**STEP 3:** Install support tray.

**STEP 2:** Install paver spacing tab.

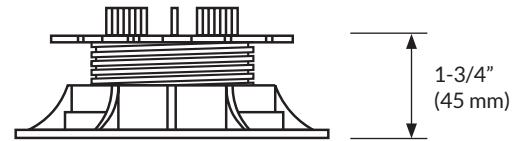
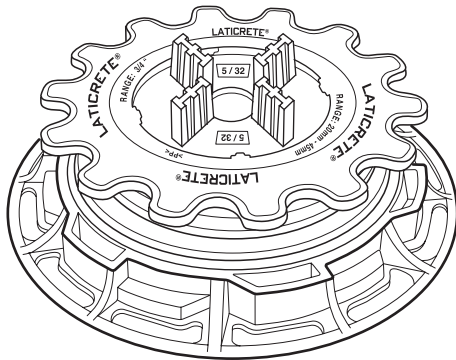
**STEP 1:** Adjust pedestal to required height. To avoid the support tray flexing, suggested pedestal placement is no greater than 24 x 24 inches apart.



*We recommend adding a center pedestal under all support trays.*

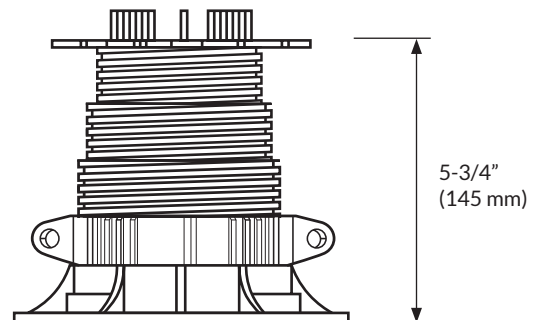
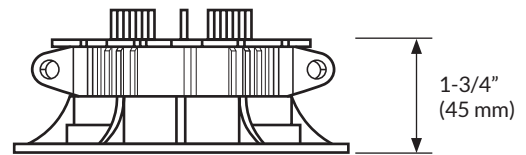
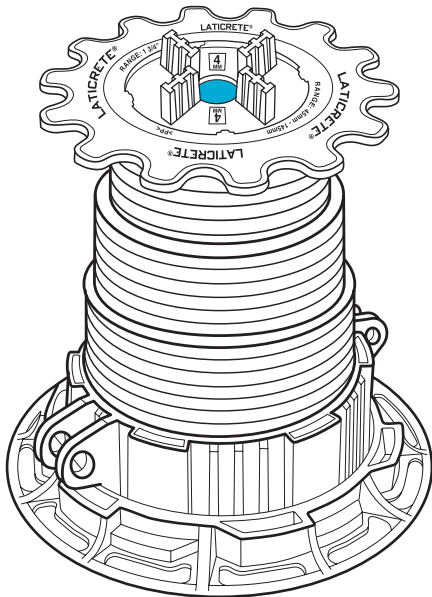
## NXT Pedestal Mini

Ajustable de 3/4" a 1-3/4" (de 20 mm a 45 mm)

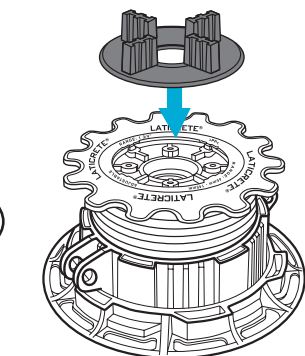
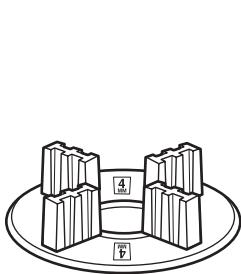


## NXT Pedestal Max

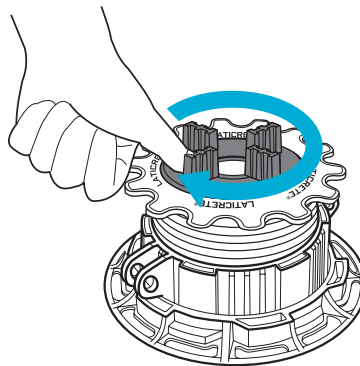
Ajustable de 1-3/4" a 5-3/4" (de 45 mm a 145 mm)



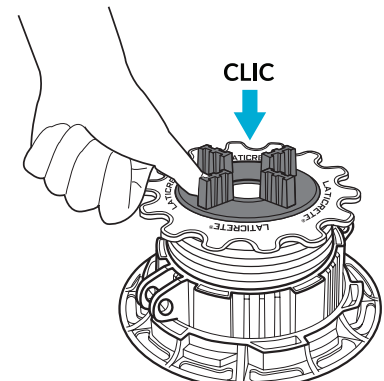
Inserción de la **lengüeta espaciadora** de 5/32" (4 mm) incluida con todos los pedestales



Coloque la lengüeta espaciadora en el centro del cabezal del pedestal.

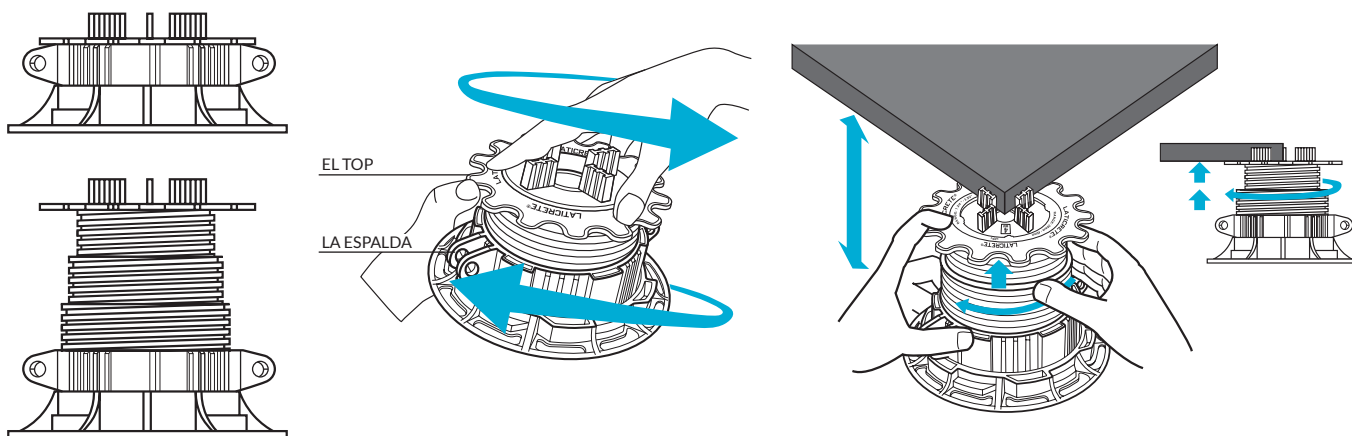


Rote la lengüeta espaciadora ejerciendo fuerza hacia abajo a la vez.



La lengüeta espaciadora quedará ubicada en su lugar y girará con libertad.

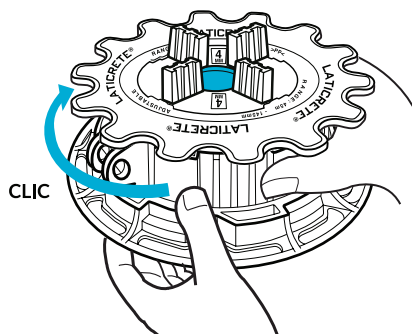
Los pedestales **NXT® Pedestal Mini** y **Max** se ajustan con facilidad.



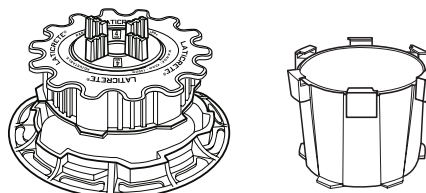
Para incrementar la altura, simplemente sostenga la base del pedestal y rote el cabezal en el sentido contrario al de las agujas del reloj. Para disminuir la altura del pedestal, simplemente rote en el sentido de las agujas del reloj.

El pedestal podrá ajustarse por completo con hasta 3 losas instaladas.

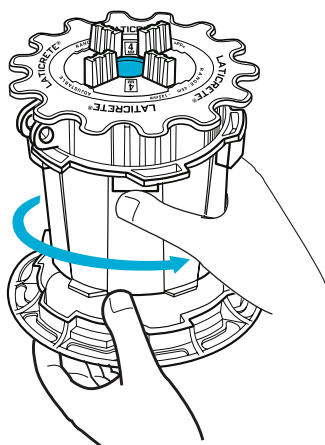
Use el **extensor para NXT Pedestal**, para añadir 4" (100 mm) de altura. Los extensores son compatibles solo con NXT Pedestal Max.



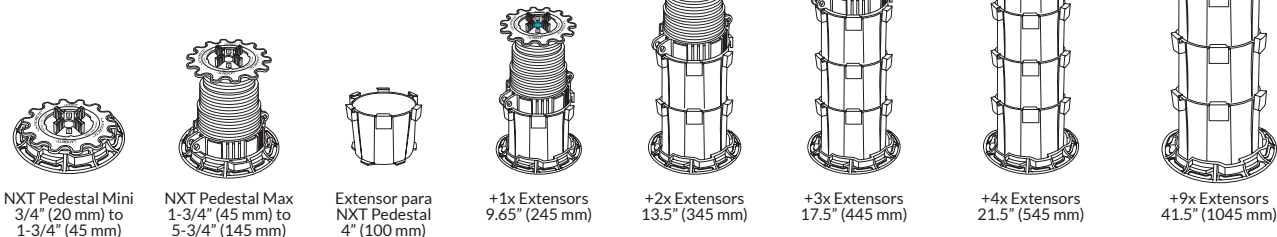
Separe el cuerpo del pedestal de la base sujetando la base y empujando el cuerpo en el sentido de las agujas del reloj.



Acople el extensor al cuerpo del pedestal rotándolo hasta oír un clic.



Vuelva a acoplar el cuerpo en la base del pedestal.



NXT Pedestal Mini  
3/4" (20 mm) to  
1-3/4" (45 mm)

NXT Pedestal Max  
1-3/4" (45 mm) to  
5-3/4" (145 mm)

Extensor para  
NXT Pedestal  
4" (100 mm)

+1x Extensors  
9.65" (245 mm)

+2x Extensors  
13.5" (345 mm)

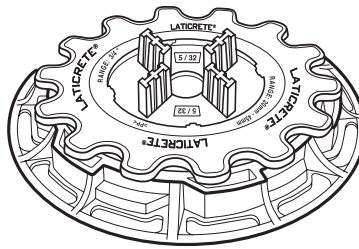
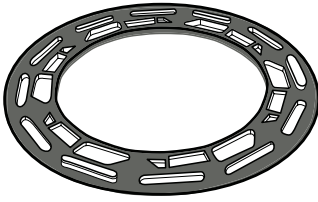
+3x Extensors  
17.5" (445 mm)

+4x Extensors  
21.5" (545 mm)

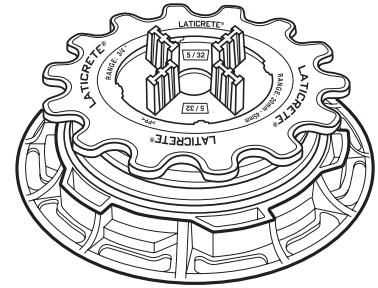
+9x Extensors  
41.5" (1045 mm)

## Correctores de pendiente para NXT® Pedestal

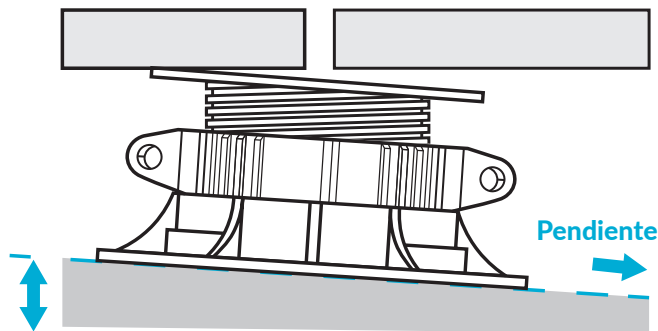
Los correctores de pendiente para NXT Pedestal son apilables y cada uno ofrece 3 grados de ajuste. Son compatibles con NXT Pedestal Mini y Max



Mini

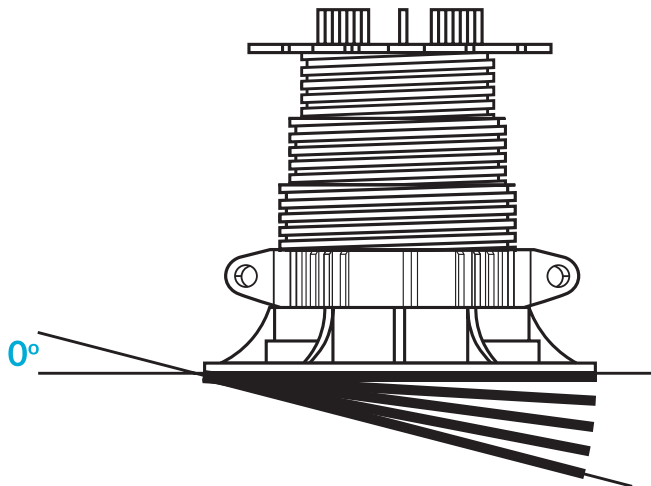


Max

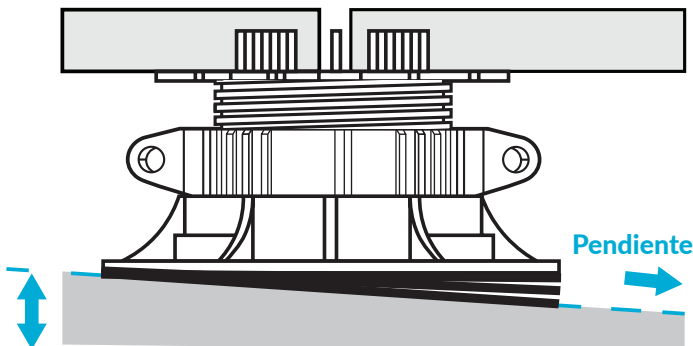


La losa no quedará nivelada si el sustrato tiene pendiente.

Para que pedestal quede perpendicular, se requerirán correctores de pendiente para NXT Pedestal.



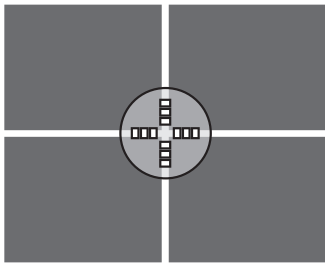
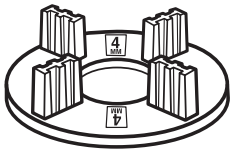
Coloque el corrector de pendiente debajo de la base del pedestal para compensar la pendiente del sustrato.



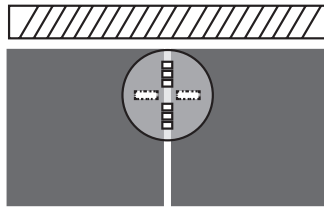
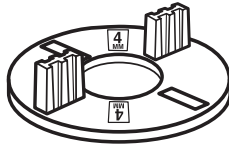
Use correctores de pendiente adicionales hasta que el pedestal quede nivelado. Los correctores de pendiente son apilables y tienen lengüetas de localización para garantizar que no se muevan una vez instalados.



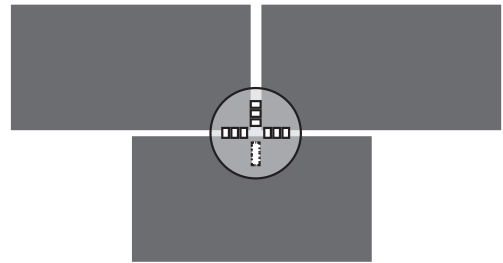
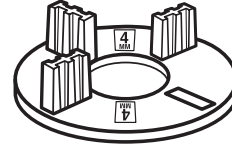
Las NXT Lengüetas Espaciadoras para Pedestal están diseñadas para poder ser partidas, lo que posibilita distintas opciones de patrones y aplicaciones.



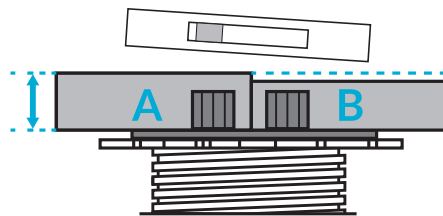
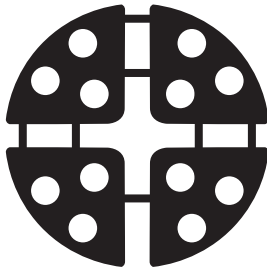
Déjelas como están para crear un espacio, para intersecar 4 losas.



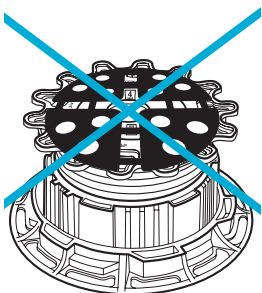
Parta 2 lengüetas para crear una línea vertical.



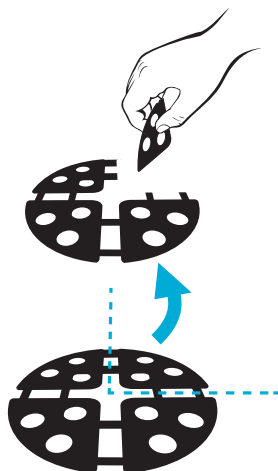
Parta 1 lengüeta para crear un patrón de unión de ladrillos.



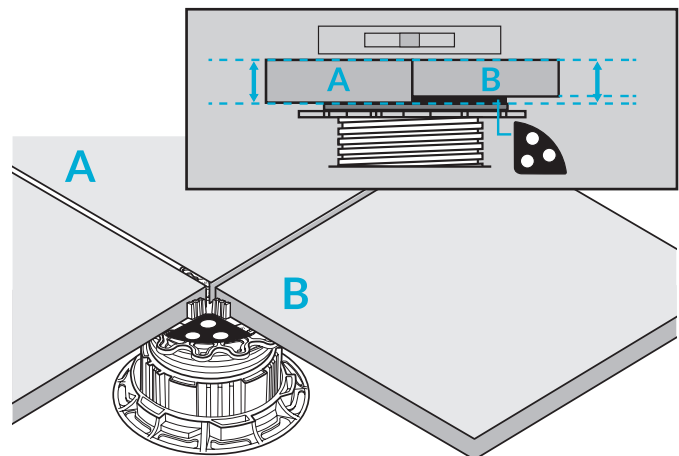
Las NXT Cuñas de Goma tienen 1/16" (1 mm) de grosor y se utilizan para corregir y nivelar losas desparejas o no calibradas.

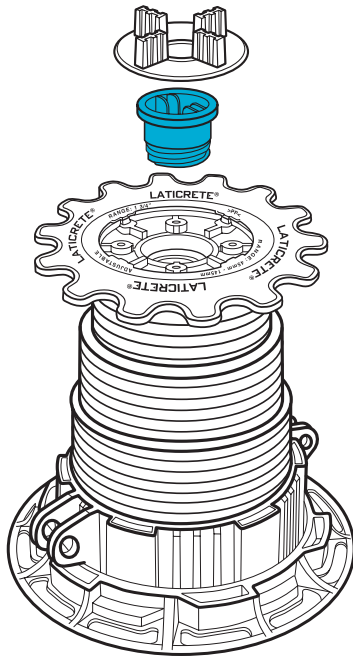


No coloque toda la cuña de goma sobre el pedestal. No podrá ajustarla más.



Desprenda una esquina y añada la cuña al cuarto que la requiere. Las cuñas pueden apilarse de a dos o tres. Aplíquelas únicamente después de haber ajustado el pedestal a la altura correcta.





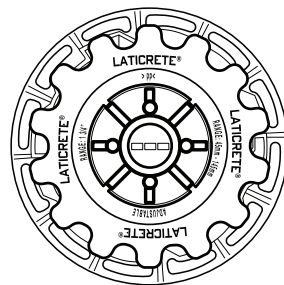
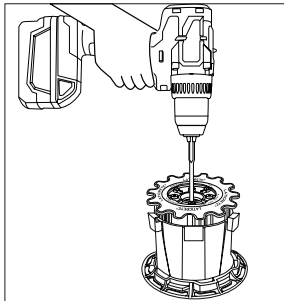
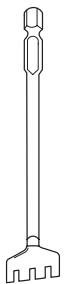
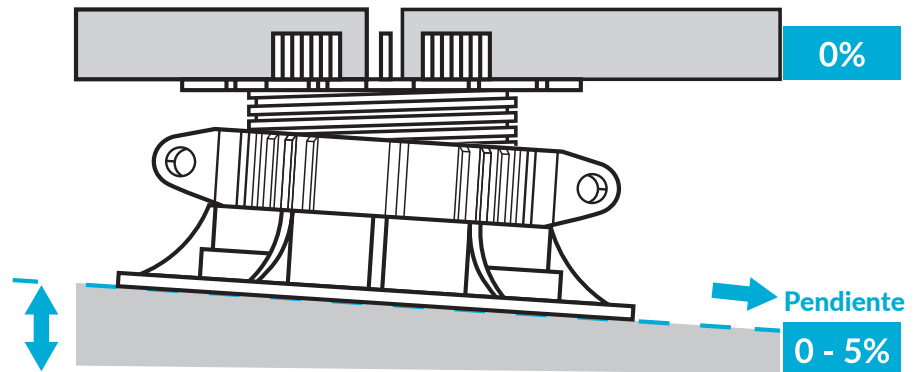
**NXT® Pedestal Max** cuenta con un exclusivo tapón azul ubicado en el centro del cabezal del pedestal. El pedestal se envía con este tapón preinstalado para aplicaciones de cabezal fijo.

Para convertir el cabezal fijo en uno pivotante, retire el tapón azul girándolo en el sentido contrario al de las agujas del reloj. El tapón ha sido ajustado con herramientas en su lugar y no puede aflojarse manualmente. La NXT Llave de Mantenimiento para Pedestal es ideal para esta aplicación.

Recomendamos retirar el tapón solo cuando sea necesario, como para adaptarse a pendientes pronunciadas o áreas alrededor de desagües.

Retire el tapón azul antes de insertar la lengüeta espaciadora.

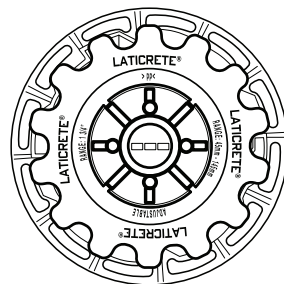
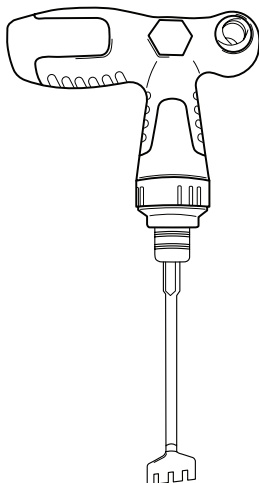
Una vez retirado el tapón azul, el cabezal del pedestal podrá pivotar hasta 5 grados.



Use el **NXT Mandril de Alta Velocidad para Pedestal** con un taladro o atornillador eléctrico con el ajuste de embrague **BAJO** solamente. Insértelo en el centro del cabezal del pedestal y gírelo hasta que quede apoyado en el posicionador de la llave.

**NO** use un atornillador de impacto.

*Configúrelo en reversa para incrementar la altura del pedestal y en la marcha hacia adelante para disminuirla.*



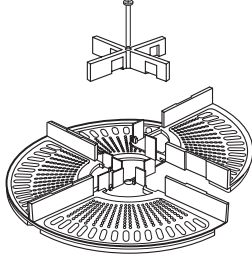
Para realizar un ajuste fino, el mandril de alta velocidad puede acoplarse en el mango de la llave de mantenimiento.

Insértelo en el centro del cabezal del pedestal hasta que quede apoyado en el posicionador de la llave.

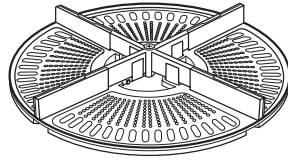
Gírelo en el sentido contrario al de las agujas del reloj para incrementar la altura y en el sentido de las agujas del reloj para disminuirla.

**NO SE PARE** sobre las losas que está ajustando.

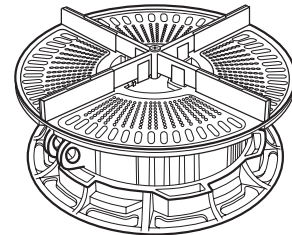
**Placa oculta para vientos para NXT® Pedestal**



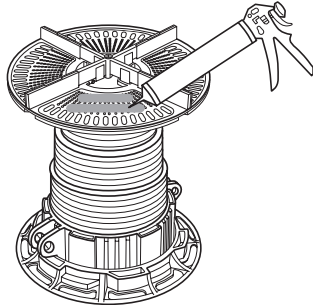
Las placas se fabrican en cuartos y reemplazan a las lengüetas espaciadoras existentes.



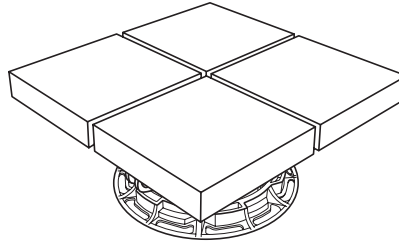
Las placas se envían totalmente ensambladas y listas para la instalación.



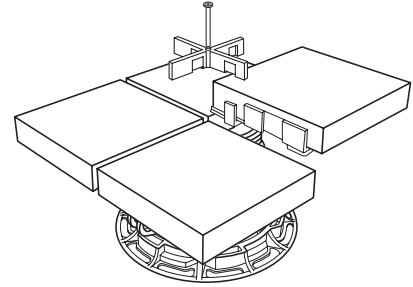
**PASO 1:** Inserte la placa oculta para vientos en el cabezal del pedestal. Ejerza presión hacia abajo, hacia su posición, hasta que oiga un clic.



**PASO 2:** Aplique abundante adhesivo en dos líneas rectas en cada cuarto.  
\*Nota: asegúrese de que el adhesivo sea compatible con polipropileno.



**PASO 3:** Coloque la losa en cada cuarto y ejerza una presión firme para lograr una buena adhesión.



**PASO 4:** Para retirar una losa, simplemente desatornille el tornillo central en cada esquina y levante la losa para liberar el centro cruzado.

**NXT Multiplaca para Pedestal** es una solución versátil para múltiples aplicaciones.

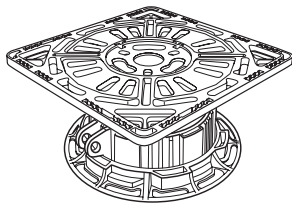
**Baja altura:** Puede colocarse en el suelo, en lugar de Mini; puede apilarse; y pueden añadirse correctores de pendiente a la base.

**Espaciado de perímetro:** Puede usarse para generar una separación alrededor del perímetro de la instalación con la lengüeta espaciadora estándar.

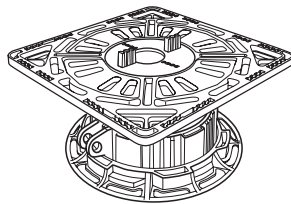
**Ángulos y curvas:** NXT Multiplaca para Pedestal puede cortarse en ángulo o de forma curva para que coincida con el perímetro o para ofrecer cobertura completa de una losa pequeña.

- Puede usarse para disponer escalones con NXT Caras de Multiplaca para Pedestal.
- Puede usarse para tratar bordes vivos con NXT Caras de Multiplaca para Pedestal.
- Borde vivo con losas ingleteadas y bordes vivos con recorte de 3/4".

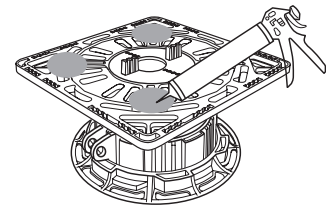
**NXT Solución contra Levantamiento por Vientos de Multiplaca para Pedestal**



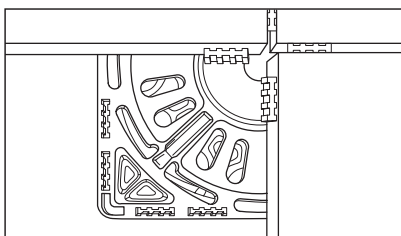
**PASO 1:** Coloque el pedestal en su posición y empuje la multiplaca en el cabezal del pedestal.



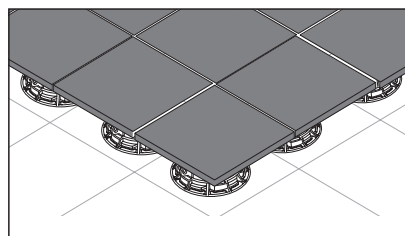
**PASO 2:** Inserte la lengüeta espaciadora de 5/32" (4 mm) (incluida con pedestales) en el centro de la multiplaca.



**PASO 3:** Aplique abundante adhesivo en cada cuarto de la placa. Use un tamaño de punto mínimo de aprox. 1" de diámetro y 1/2" de grosor (30 mm de diámetro y 15 mm de grosor)

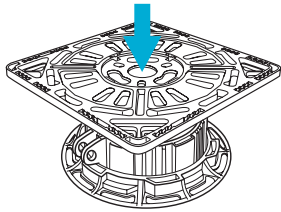


**PASO 4:** Instale losas en la multiplaca ejerciendo presión hacia abajo para garantizar la adhesión.

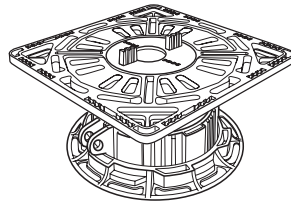


**PASO 5:** Las losas ahora se instalan con una solución oculta contra el levantamiento por viento.

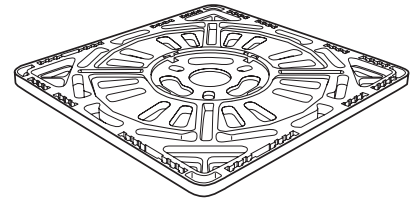
## Solución de separación de borde de NXT Multiplaca para Pedestal



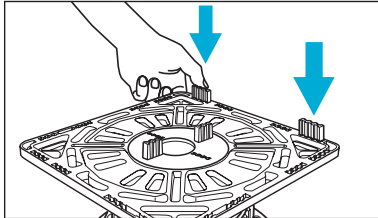
Coloque el pedestal contra la pared del perímetro y empuje la multiplaca hacia el cabezal del pedestal.



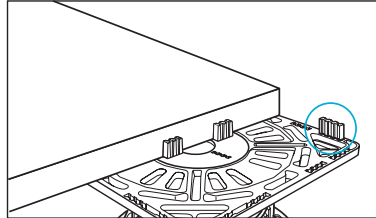
**PASO 1:** Inserte la lengüeta espaciadora de 5/32" (4 mm) (incluida con los pedestals) y cree una línea vertical partiendo 2 lengüetas espaciadoras.



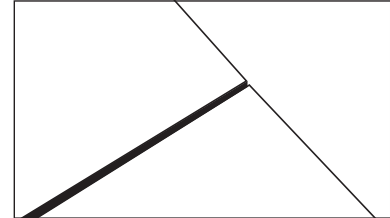
Use los descartes de las lengüetas espaciadoras de 5/32" (4 mm) para crear una separación entre la losa y el perímetro.



**PASO 2:** Use las 2 lengüetas espaciadoras partidas e insértelas verticalmente en las ubicaciones dispuestas en el borde de la multiplaca para crear la separación de 5/32" (4 mm) contra el perímetro.

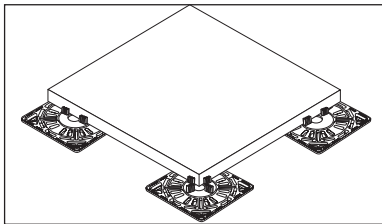


**PASO 3:** Instale losas en la multiplaca contra la pared del perímetro. Para lograr una separación uniforme del perímetro, asegúrese de usar, como mínimo, 2 lengüetas espaciadoras.

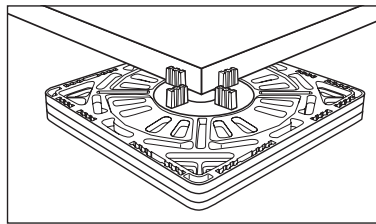


**PASO 4:** Las losas ahora se instalan con una separación de 5/32" (4 mm) contra la pared del perímetro.

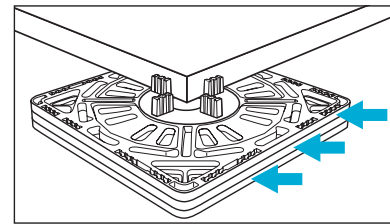
## Solución de baja altura de NXT Multiplaca para Pedestal



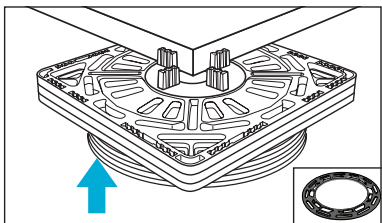
NXT Multiplaca para Pedestal ha sido específicamente diseñada para lograr una solución de baja altura mínima de 3/8" (10 mm).



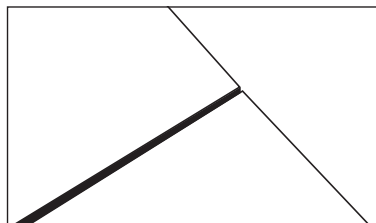
**PASO 1:** Inserte la lengüeta espaciadora de 5/32" (4 mm) para intersectar 4 losas o parta 2 lengüetas para crear una línea vertical y colocarlas en el sustrato.



**PASO 2:** Las multiplacas pueden apilarse, y, con cada placa agregada, la altura se incrementa en 3/16" (5 mm). Las multiplacas vienen con lengüetas de posicionamiento debajo para detener el movimiento.



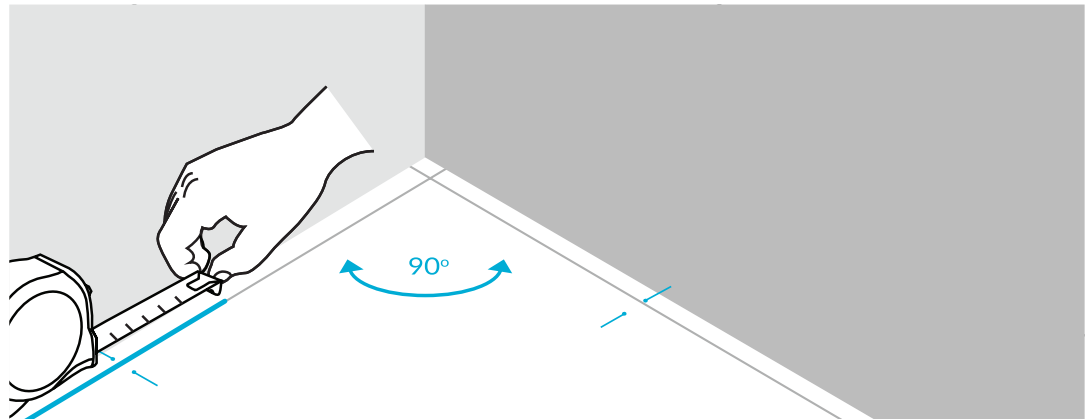
**PASO 3:** Las multiplacas son compatibles con NXT Correctores de Pendiente para Pedestal. Añádalos debajo de la multiplaca para compensar la caída del sustrato.



**PASO 4:** Las losas ahora se instalan a una baja altura, desde 3/8" (10 mm), y pueden nivelarse para adaptarse al sustrato.

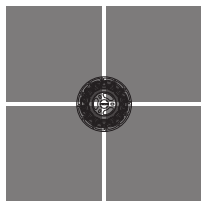
Mida el área, el largo por el ancho, y disponga losas enteras. Si el área es irregular, recomendamos contar con losas de igual tamaño (cortes) alrededor de todos los perímetros. Intente asegurarse de que las losas cortadas para perímetros tengan más de 4" (102 mm) para garantizar que un pedestal pueda soportar la losa cortada.

Ejemplo basado en losas de 24" x 24" (61 cm x 61 cm)



Los NXT Pedestales deben colocarse:

- A. Entre 4 losas
- B. Entre 2 losas (perímetro)
- C. En todas las esquinas



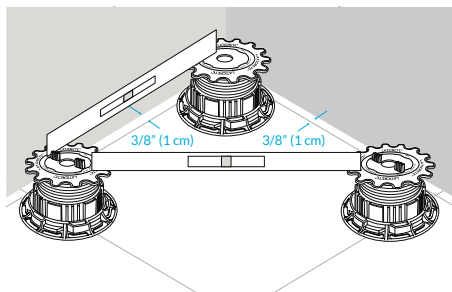
A



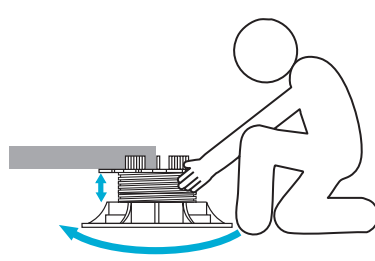
B



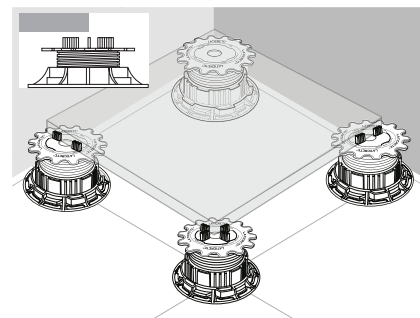
C



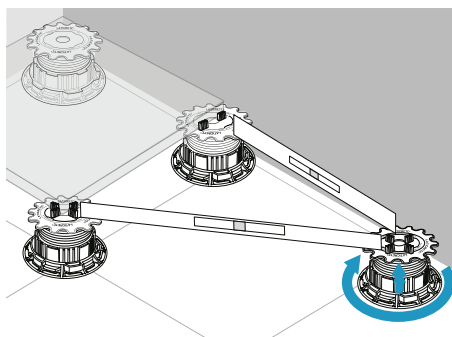
**PASO 1:** Use un nivel 24" (61 cm) y disponga una separación de 24" (61 cm) para los pedestales.



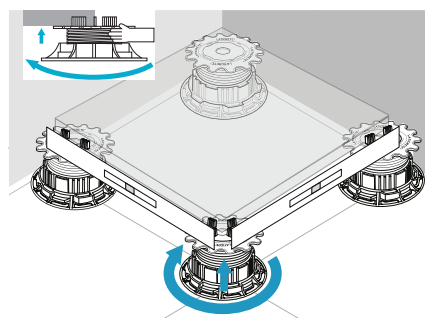
**PASO 2:** Con el nivel sobre dos pedestales, desatornille hasta nivelar.



**PASO 3:** Ubique la losa y continúe ajustando hasta que la losa quede nivelada.



**PASO 4:** Use el nivel para dejar una separación de 24" (61 cm) en los próximos pedestales.



**PASO 5:** Ubique la losa y desatornille el pedestal hasta que quede nivelado.

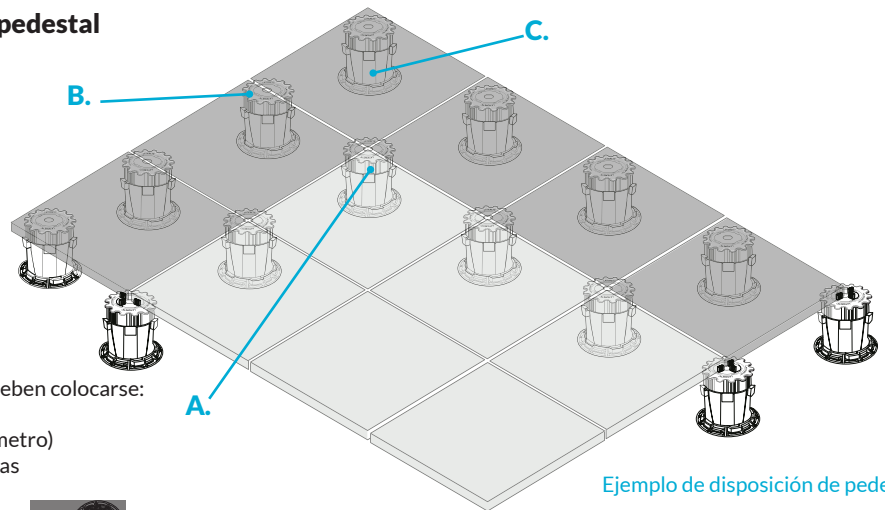
\*Consejo profesional  
Ejerza presión en las cuatro esquinas con la mano para asegurarse de que la losa no se mueva.

## Como preparar la instalación de un pedestal

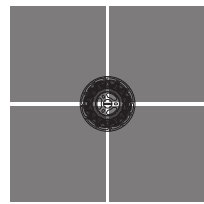
Mida el área, el largo por el ancho, e intente disponer losas enteras.

Si el área es irregular, recomendamos contar con losas de igual tamaño (cortes) alrededor de todos los perímetros.

Ejemplo basado en losas de 24" x 24" (61 cm x 61 cm)



Ejemplo de disposición de pedestales.



A

Los NXT Pedestales deben colocarse:

- A. Entre 4 losas
- B. Entre 2 losas (perímetro)
- C. En todas las esquinas



B



C

## Pasos de instalación

### PASO 1:

Asegúrese de que el sustrato esté limpio, suave y libre de escombros. Los NXT Pedestales están diseñados para la instalación sobre superficies rígidas.

### PASO 2:

Mida y divida el área en partes iguales según el tamaño de la losa. Dibujar las líneas con tiza le ayudará a lograr la mejor disposición de los pedestales.

\*Nota: el sistema de NXT Pedestales tiene juntas separadoras de 5/32" (4 mm).

### PASO 3:

Se recomienda comenzar en una esquina y asegurarse de que el pedestal y la losa estén apoyados contra un perímetro sólido.

### PASO 4:

Disponga losas/baldosas/piedra adecuados sobre los pedestales para garantizar que el material está nivelado.

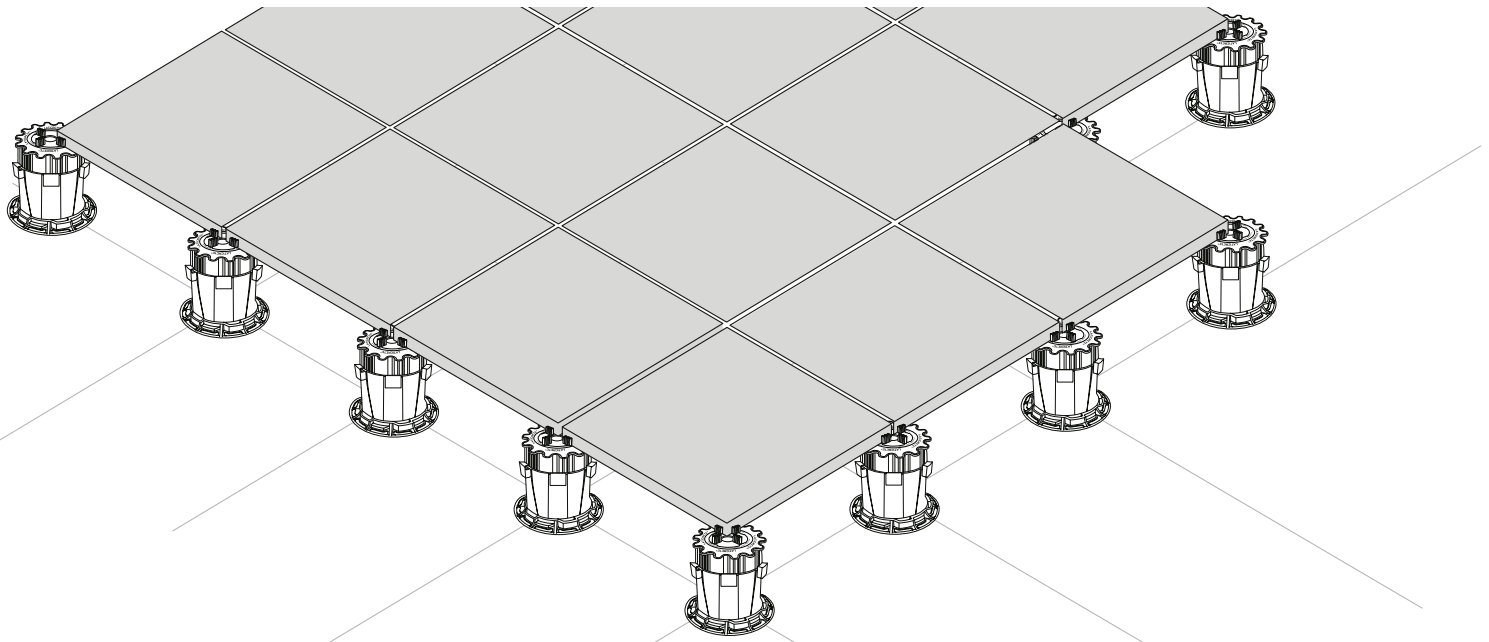
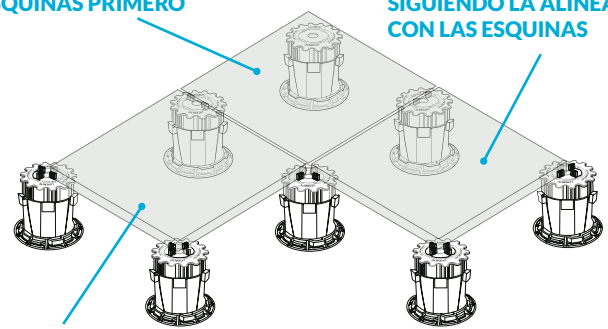
### NO:

- Instale los NXT Pedestales al revés por ningún motivo.
- Corte los pedestales para cualquier aplicación.
- Use NXT Extensores para Pedestal sin cuerpo ni base del pedestal.

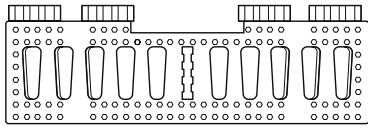
DISPONGA LAS LOSAS DE LAS ESQUINAS PRIMERO

DISPONGA LAS SIGUIENTES LOSAS SIGUIENDO LA ALINEACIÓN CON LAS ESQUINAS

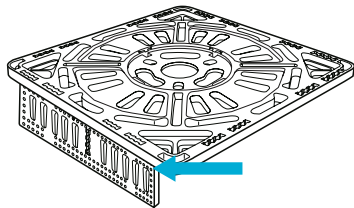
DISPONGA LAS SIGUIENTES LOSAS SIGUIENDO LA ALINEACIÓN CON LAS ESQUINAS



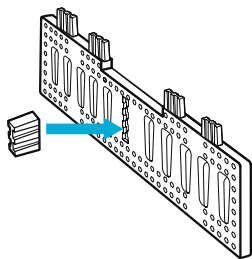
Accesorio NXT Cara de Multiplaca para Pedestal



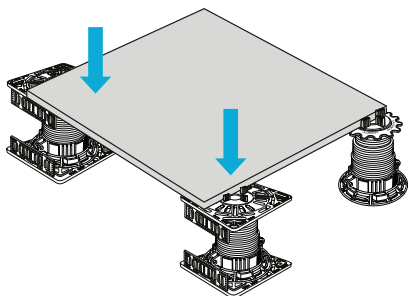
El accesorio NXT Cara de Multiplaca para Pedestal es compatible con NXT Multiplaca para Pedestal, para ocultar bordes vivos o construir escalones y escaleras.



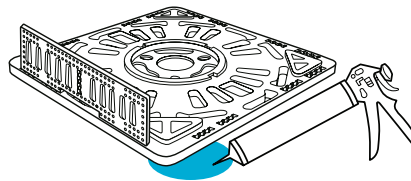
**PASO 3:** Use una segunda multiplaca y acople un accesorio de cara a la parte inferior.



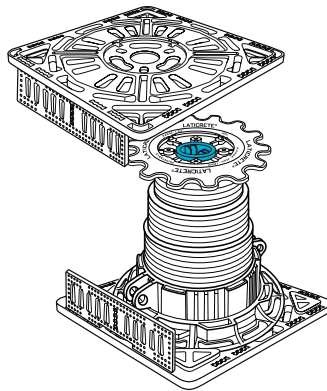
**PASO 6:** Con la lengüeta espaciadora retirada, insértela desde la parte trasera a través del centro.



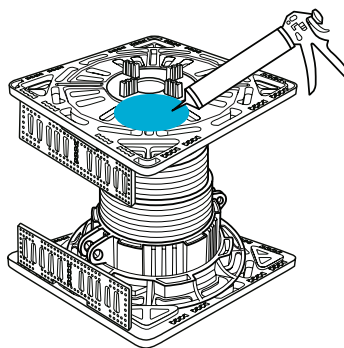
**PASO 9:** Ubique la losa sobre las multiplacas y ejerza presión hacia abajo para garantizar una buena adhesión.



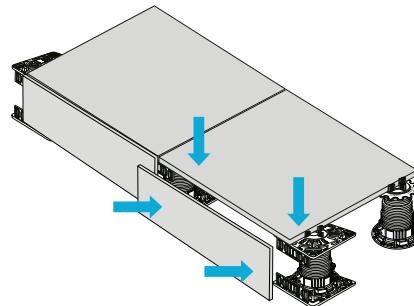
**PASO 1:** Adhiera la multiplaca al revés el sustrato e inserte el accesorio de cara al borde vivo.



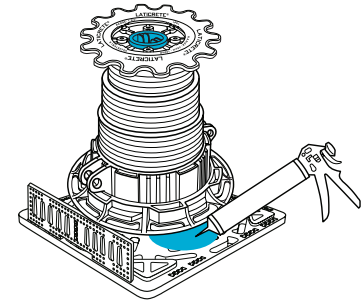
**PASO 4:** Coloque la multiplaca sobre el pedestal y rótele hacia su ubicación, hasta oír un clic.



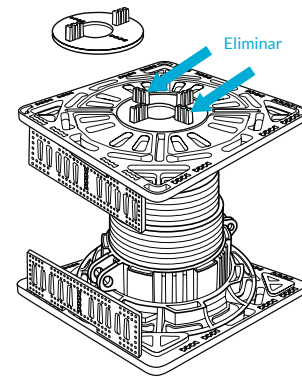
**PASO 7:** Aplique adhesivo a la parte superior de la multiplaca lista para adherir la losa.



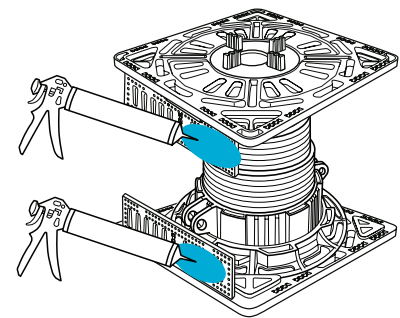
**PASO 10:** Ubique la losa elevadora contra los accesorios de cara.



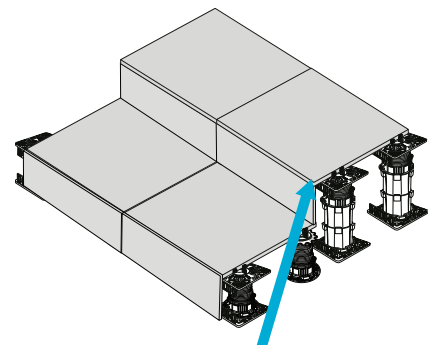
**PASO 2:** Adhiera la base del pedestal a la multiplaca.



**PASO 5:** Inserte la lengüeta espaciadora y parta 2 espaciadores para crear una línea vertical.



**PASO 8:** Aplique adhesivo a los accesorios de cara.



Nota: puede agregarse un perfil o recorte de aluminio para cubrir el borde de la línea

Repita el proceso para crear escalones incrementando las alturas de los pedestales.

# Kit de sujeción FPR para NXT® Pedestal

## Cómo instalar un panel de plástico reforzado con fibra de vidrio (FRP) para césped artificial

Mida el área, el largo por el ancho, e intente disponer losas enteras.

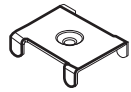
Si el área es irregular, recomendamos contar con losas de igual tamaño (cortes) alrededor de todos los perímetros.

Ejemplo basado en un tamaño de FRP de 24" x 24" (61 cm x 61 cm)

### Kit de sujeción FPR para NXT Pedestal incluye 3 elementos



Tuerca remachada inferior

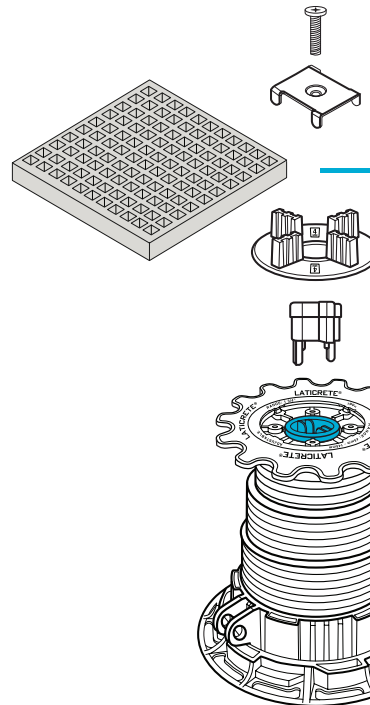


Retén de acero inoxidable



Tornillo M2

Se requiere el NXT Kit de Sujeción de FRP para Pedestal, para asegurar el FRP al pedestal Max



#### PASO 4:

Asegúrelo con el retén de acero inoxidable y atorníllelo hasta que quede bien ajustado.

Disponga la rejilla de FRP en los 4 cuartos.

#### PASO 3:

Inserte la lengüeta espaciadora.

#### PASO 2:

Inserte la tuerca remachada inferior en el tapón azul y ejerza presión hacia abajo hasta que quede apoyada en su lugar.

#### PASO 1:

Ajuste el pedestal a la altura requerida. Para evitar la flexión del FRP, se sugiere colocar los pedestales a una separación de no más de 24" x 24" (61 cm x 61 cm).

## Pasos de instalación

### PASO 1:

Asegúrese de que el sustrato esté limpio, suave y libre de escombros. Los NXT Pedestales están diseñados para la instalación sobre superficies rígidas.

### PASO 2:

Inserte la tuerca remachada inferior y las lengüetas espaciadoras en todos los pedestales. Ajústelos a la altura deseada.

### PASO 3:

Coloque rejillas de FRP en cada esquina de los pedestales. Use un nivel para asegurarse de que la superficie quede plana y pareja. Sin labios.

### PASO 4:

Atornille el retén de acero inoxidable donde 4 rejillas de FRP se cruzan, por encima del control del pedestal.

### PASO 5:

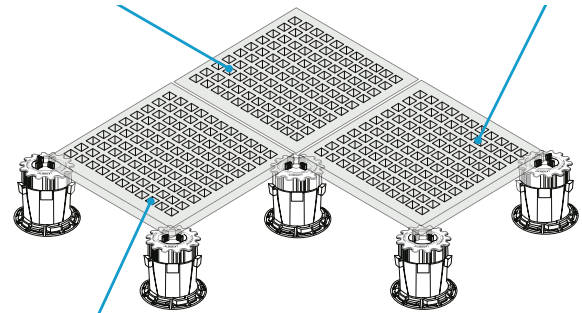
Desenrolle el césped artificial.

### NO:

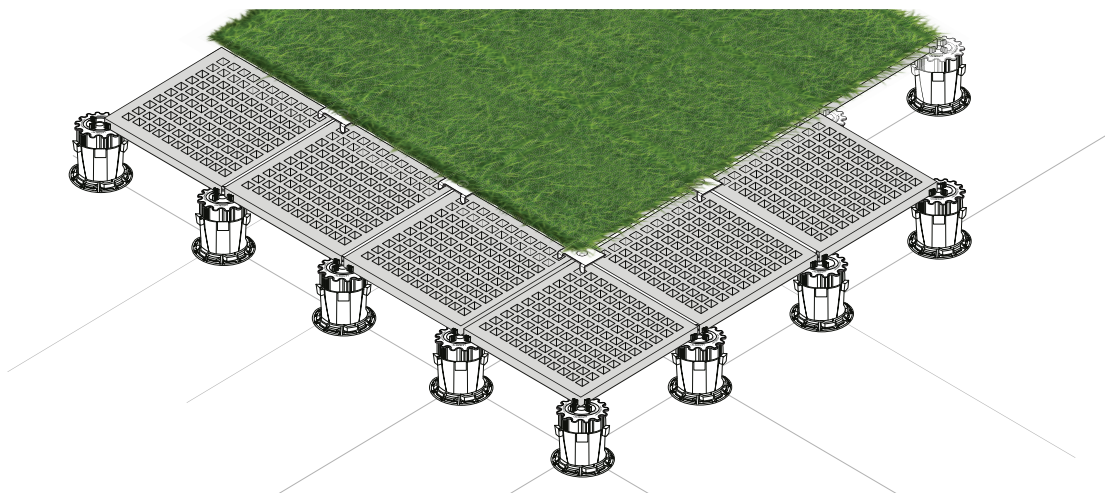
- Instale NXT Pedestales al revés por ningún motivo.
- Cortar el pedestal para cualquier aplicación.
- Use NXT Extensores para Pedestal sin cuerpo ni base del pedestal.

DISPONGA LAS REJILLAS DE FRP DE LAS ESQUINAS PRIMERO

DISPONGA LOS PRÓXIMAS REJILLAS DE FRP SIGUIENDO LA ALINEACIÓN CON LAS ESQUINAS



DISPONGA LOS PRÓXIMAS REJILLAS DE FRP SIGUIENDO LA ALINEACIÓN CON LAS ESQUINAS



## Fijación de paneles de soporte para ubicar losas con patrones y tamaños alternativos.

Mida el área, el largo por el ancho, e intente disponer losas enteras.

Si el área es irregular, recomendamos contar con losas de igual tamaño (cortes) alrededor de todos los perímetros.

Ejemplo basado en un tamaño de FRP de 24" x 24" (61 cm x 61 cm)

### El NXT Kit de Sujeción de Bandeja de Soporte para Pedestal incluye 4 elementos



Tuerca remachada inferior



Lengüeta espaciadora de panel de soporte especializada

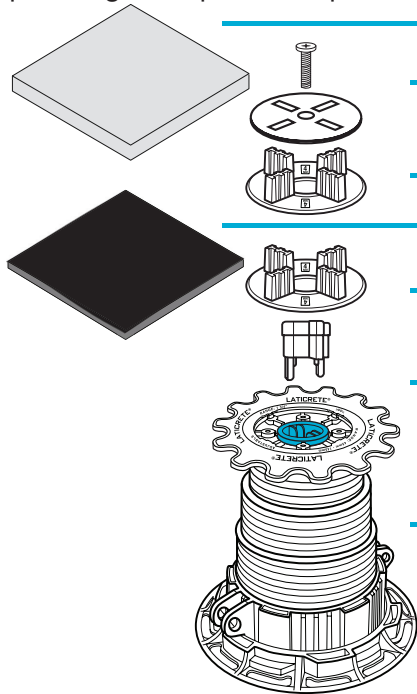


Retén de acero inoxidable



Tornillo M2

El NXT Kit de Sujeción de Bandeja de Soporte para Pedestal se requiere para asegurar el panel de soporte a los NXT Pedestales Max.



Disponga la rejilla de FRP en los 4 cuartos.

#### PASO 5:

Asegúrelo con el retén de acero inoxidable y atorníllelo hasta que quede bien ajustado.

#### PASO 4:

Instale la lengüeta espaciadora de la losa.

Disponga la rejilla de FRP en los 4 cuartos.

#### PASO 3:

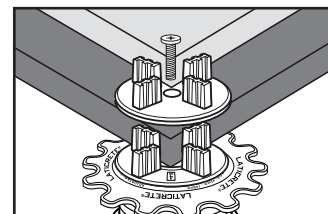
Inserte la lengüeta espaciadora del panel de soporte

#### PASO 2:

Inserte la tuerca remachada inferior en el tapón azul y ejerza presión hacia abajo hasta que quede apoyada en su lugar.

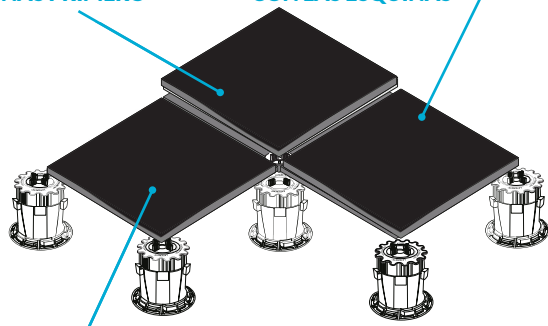
#### PASO 1:

Ajuste el pedestal a la altura requerida. Para evitar la flexión de la bandeja de soporte, se sugiere ubicar los pedestales con una separación de no más de 24 x 24 pulgadas.



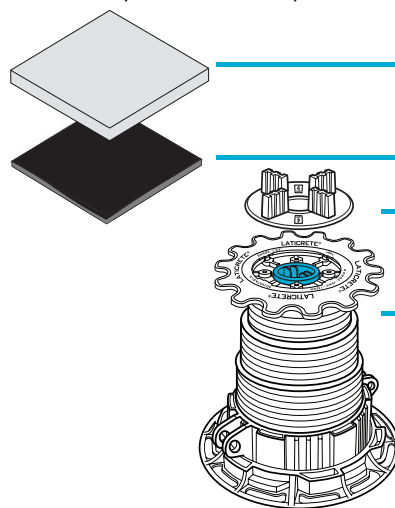
DISPONGA LOS PANELES DE SOPORTE DE LAS ESQUINAS PRIMERO

DISPONGA LOS PRÓXIMOS PANELES DE SOPORTE SIGUIENDO LA ALINEACIÓN CON LAS ESQUINAS



DISPONGA LOS PRÓXIMOS PANELES DE SOPORTE SIGUIENDO LA ALINEACIÓN CON LAS ESQUINAS

Use la NXT Bandeja de Soporte para Pedestal con una losa de 24" x 24" (61 cm x 61 cm)



#### PASO 4:

Instale la losa directamente sobre la bandeja de soporte. \*Para obtener el mejor rendimiento, la losa puede adherirse a la bandeja de soporte.

#### PASO 3:

Instale la bandeja de soporte.

#### PASO 2:

Install paver spacing tab.

#### PASO 1:

Ajuste el pedestal a la altura requerida. Para evitar la flexión de la bandeja de soporte, se sugiere ubicar los pedestales con una separación de no más de 24 x 24 pulgadas.

## Pasos de instalación

### PASO 1:

Asegúrese de que el sustrato esté limpio, suave y libre de escombros. Los NXT Pedestales están diseñados para la instalación sobre superficies rígidas.

### PASO 2:

Inserte la tuerca remachada inferior y las lengüetas espaciadoras en todos los pedestales. Ajústelos a la altura deseada.

### PASO 3:

Coloque una bandeja de soporte en cada esquina de los pedestales. Use un nivel para asegurarse de que la superficie quede plana y pareja, sin labios.

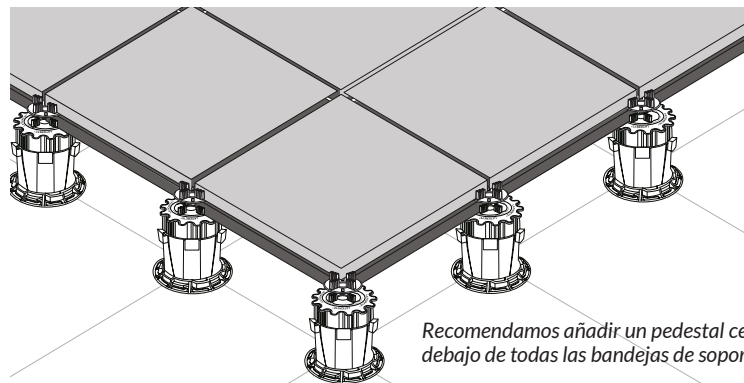
### PASO 4:

Coloque una lengüeta espaciadora de losa en la intersección de 4 paneles de soporte, sobre el centro del pedestal. Use el retén de acero inoxidable sobre la lengüeta espaciadora y atorníllelo hasta asegurarlo.

### PASO 5:

Disponga las losas directamente sobre la bandeja de soporte.

Nota: para obtener el mejor rendimiento, recomendamos adherir la bandeja de soporte a la losa.



Recomendamos añadir un pedestal central debajo de todas las bandejas de soporte.



**For the Builders of a Better World®**

