

8

7

6

5

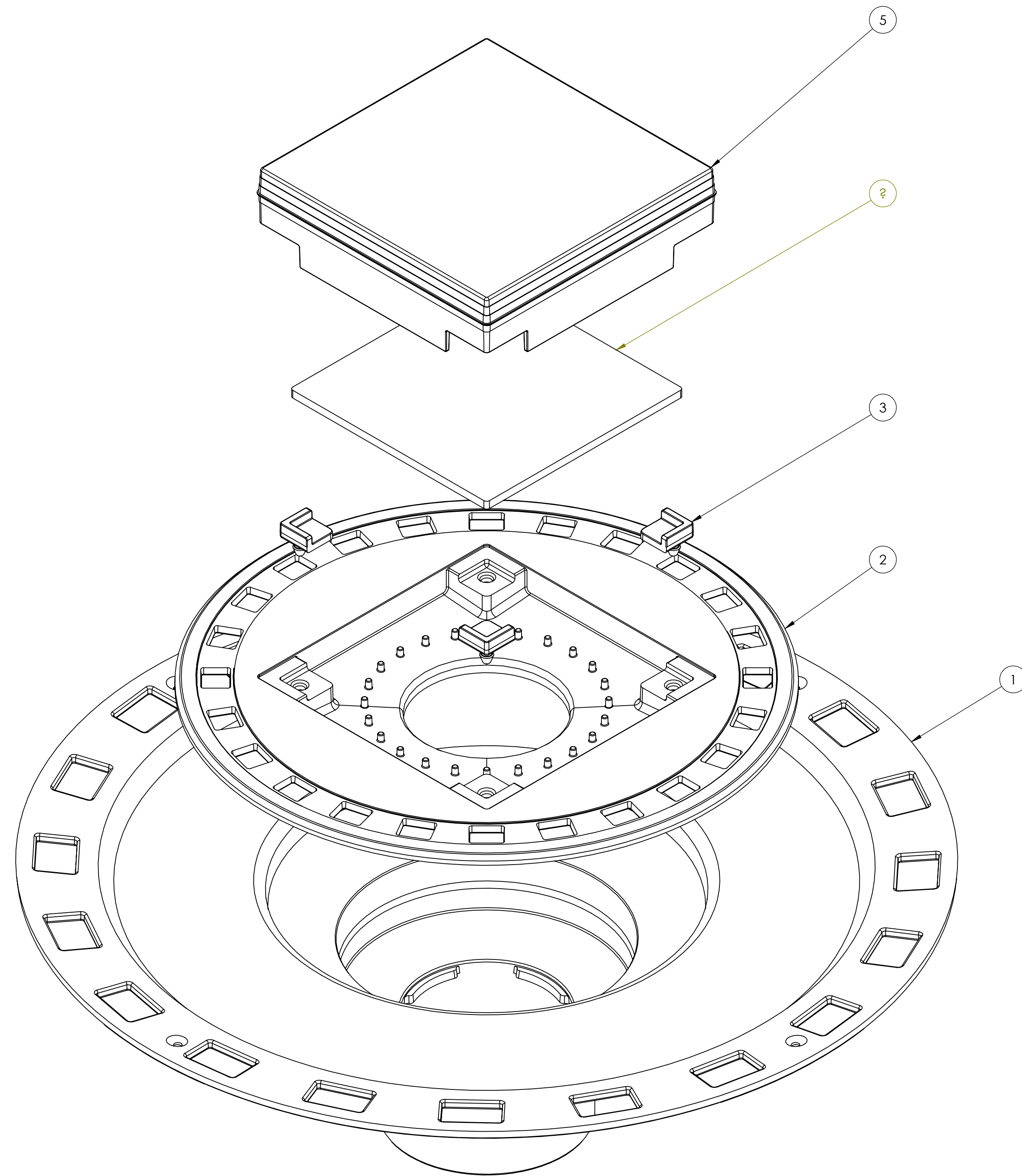
4

3

2

1

ITEM NO.	PART NUMBER	DESCRIPTION	QTY.
1	9247 – BFD	Bonding Flange Drain	1
2	9247 – TI Adj Ring		1
3	9247 – TI Adj Ring Corners	Adjusting Ring Corner Supports	4
4	9247 – TI SS Plate	Stainless Steel Tile Plate	1
5	9247 – TI Inst Barrier	Tile Installation Barrier	1



NOTES:

1. MATERIAL CERTIFICATION AND C OF C REQUIRED ON ALL LOT RUNS, INCLUDING BASE MATERIAL, PIGMENTATION
2. PART TO BE FREE OF PARTICULATE MATTER, PARENT OR FOREIGN, VISIBLE AND EMBEDDED.
3. DRAWING IS FOR INSPECTION PURPOSE ONLY. ALL UNDIMENSIONED FEATURES TO BE HELD $\pm .010$ WITH RESPECT TO 3D CAD MODEL.
4. ALL K.O. PIN LOCATIONS, GATES AND PARTING LINES TO BE APPROVED BY LATICRETE INTERNATIONAL.
5. ALL CORNERS SHOWN SHARP TO BE R 0.010 MAX.
6. ALL FLASH TO BE HELD TO $.010$ MAX. GATE VESTIGE TO BE $.010$ MAX.
7. PARTING LINE MISMATCH $.005$ MAX.
8. SURFACES TO BE AS MACHINED UNLESS OTHERWISE CALLED OUT.

PROPRIETARY AND CONFIDENTIAL
 THE INFORMATION CONTAINED IN THIS DRAWING IS THE SOLE PROPERTY OF LATICRETE INTERNATIONAL INC. ANY REPRODUCTION IN PART OR AS A WHOLE WITHOUT THE WRITTEN PERMISSION OF LATICRETE INTERNATIONAL INC. IS PROHIBITED.

UNLESS OTHERWISE SPECIFIED: INTERPRET GEOMETRIC TOLERANCING PER: ASME Y14.5-2009 DIMENSIONS ARE IN INCHES TOLERANCES: ANGULAR: MACH ± 2 BEND ± 5 TWO PLACE DECIMAL ± .010 THREE PLACE DECIMAL ± .005	INTERPRET GEOMETRIC TOLERANCING PER: MATERIAL: BLACK/ASTM D2661 GRADE ABS FINISH: SEE NOTES DO NOT SCALE DRAWING	NAME: VC DATE: 4/7/21	TITLE: Tile in Drain assembly exploded
DRAWN	CHECKED	ENG APPR.	MFG APPR.
Q.A. COMMENTS:			
LATICRETE INTERNATIONAL INC. 31 ANVITY ROAD BETHANY CT 06524	SCALE: 1:1	WEIGHT:	SHEET 1 OF 1

8

7

6

5

4

3

2

1